

5

4

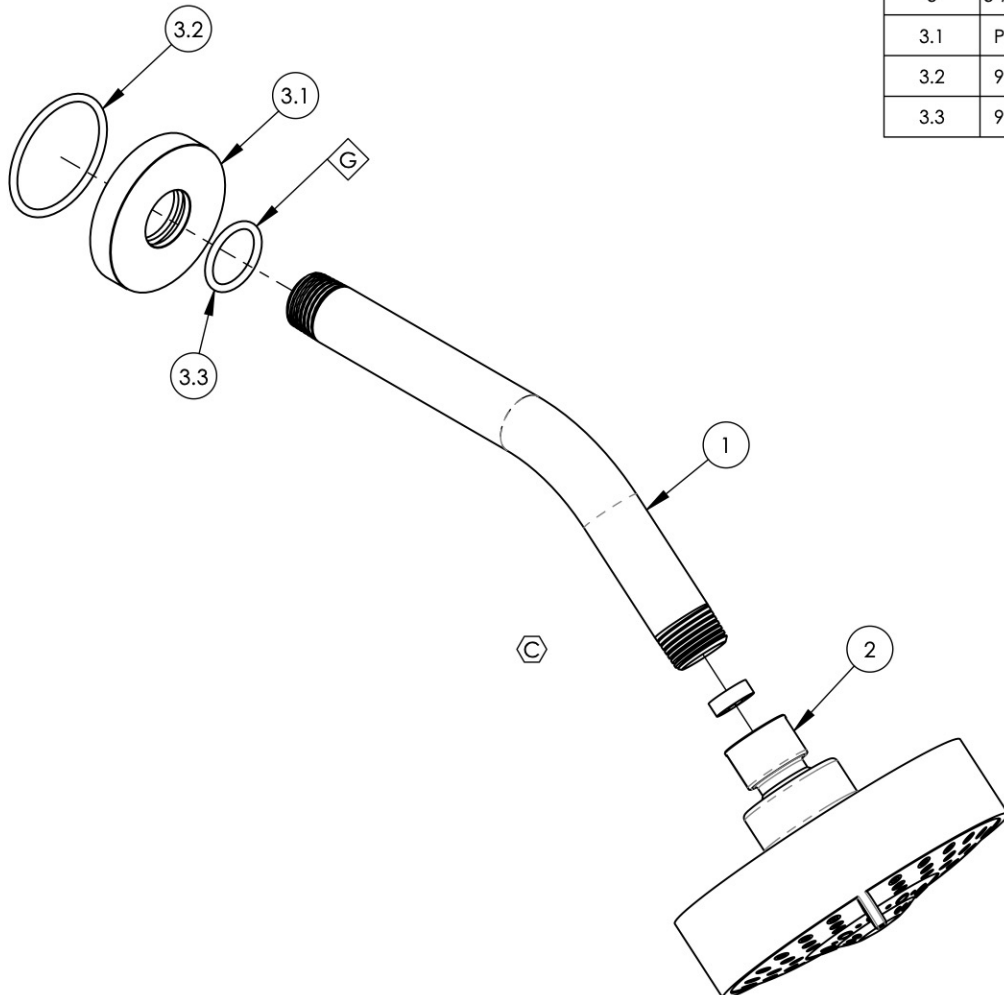
3

2

1

NOTE(S):
 1. APPLY NSF COMPLIANT GREASE TO ANY O-RING, SEALING JOINTS, AND/OR PIVOTAL POINTS. G

ITEM NO.	PART NUMBER	DESCRIPTION	QTY.
1	P16008/00	SHOWER ARM (8 INCH)	1
2	3-454	SHOWER HEAD MULTI. FUNCTION CONTEMP.	1
3	3-700/00	SHOWER FLANGE, CONTEMPORARY, ROUND	1
3.1	P16019/00	BASE SHOWER FLANGE, BASIC SERIES	1
3.2	90129	O-RING, 1-9/16"ID X 3/32THK, AS-568-129	1
3.3	90117	O-RING, 7/8"ID X 33/32"THK., AS-568-117	1



ALL	C	UPDATED COMPONENTS AND SPECS	12/13/2023	RAH
ZONE	REV.	DESCRIPTION	DATE	APPROVED
REVISIONS				

1261 LOGAN AVENUE
 COSTA MESA, CALIFORNIA 92626
 PHONE: 714.361.4800
 FAX: 714.617.3120

PHYLIRICH®

Defining Luxury Since 1959

PROPRIETARY AND CONFIDENTIAL

THE INFORMATION CONTAINED IN THIS DRAWING IS THE SOLE PROPERTY OF PHYLIRICH. ANY REPRODUCTION IN PART OR AS A WHOLE WITHOUT THE WRITTEN PERMISSION OF PHYLIRICH IS PROHIBITED.

-	-	INTERPRET GEOMETRIC DIMENSIONING & TOLERANCING IN ACCORDANCE WITH ASME Y14.5-2009 & ASME Y14.41-2003 STANDARDS, UNLESS OTHERWISE SPECIFIED. DIMENSIONS ARE IN INCHES. TOLERANCES ARE:		
NEXT ASSY	USED ON	FRACTIONS ±1/16"	DECIMALS X.X: ±.1 X.XX: ±.01 X.XXX: ±.005	ANGULAR ±2°
APPLICATION		MATERIAL	NAME	DATE
FINISH		DRAWN	LLO	7/26/2013
DO NOT SCALE DRAWING		CHECKED	GRE	

CONTEMPORARY MULTI. SHOWER HEAD

SIZE	ASM/PRT NO.	REV
A	K837/00	C
SCALE: 1:2.5	WEIGHT: lbs.	SHEET 1 OF 2

5

4

3

2

1

E

E

D

D

C

C

B

B

A

A