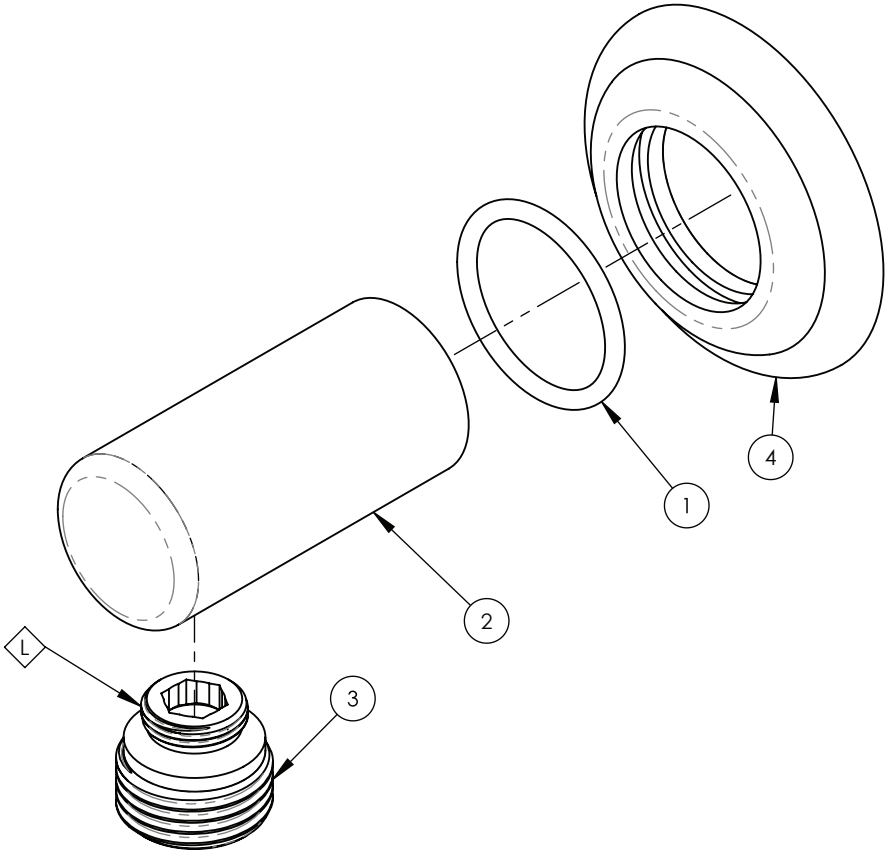
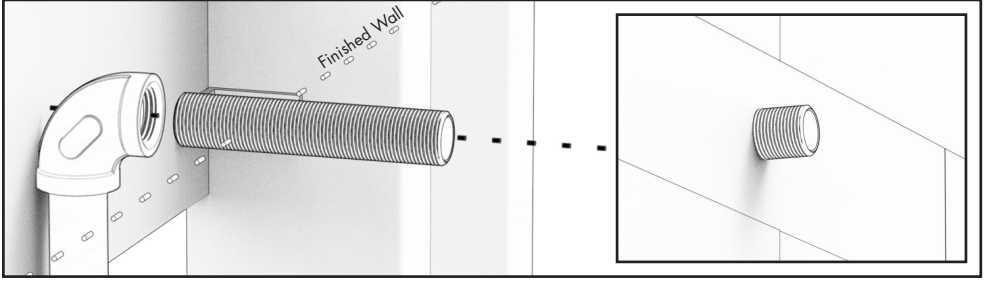


■ K6008 PARTS BREAKDOWN & INSTALL SET-UP

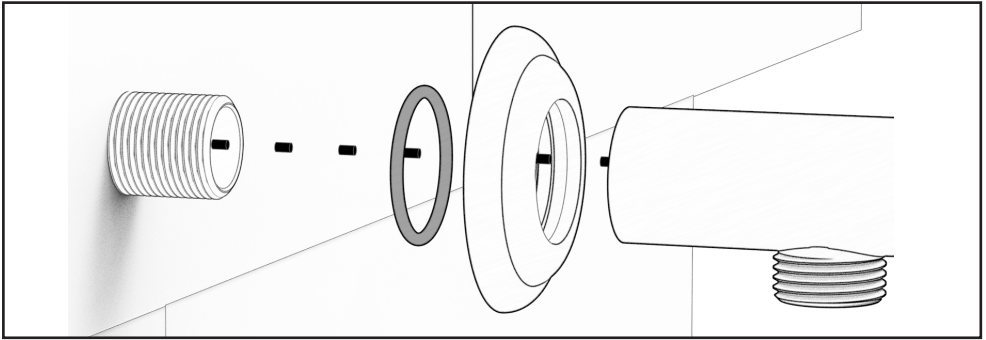


ITEM NO.	PART NUMBER	DESCRIPTION	QTY.	
1	90120	O'RING, .987 ID X 1.193 OD, 3/32" THK, AS-568-120	1	
2	P18010/00	K6008 BODY	1	
3	P18011/00	CONNECTOR OUTLET 1/2", HOUSING OV10	1	
4	P18012/00	BASE FLANGE FOR K6008, K6002, K6001	1	

Determine the location of the wall bracket. Install a cross beam and secure a brass 90° elbow (*not supplied*). Connect elbow to water supply using copper supply lines and 1/2" made adaptors. Attach a 1/2" brass nipple to elbow. Check all connections for leaks. The wall is ready to be closed.



Slide **Flange** with **O-ring** onto the assembled bracket body and hook. Apply **Teflon tape** to the threads of the brass nipple. Attach the **bracket with flange to the brass nipple**. Check connection for leaks.



Slide Flange against the wall.

