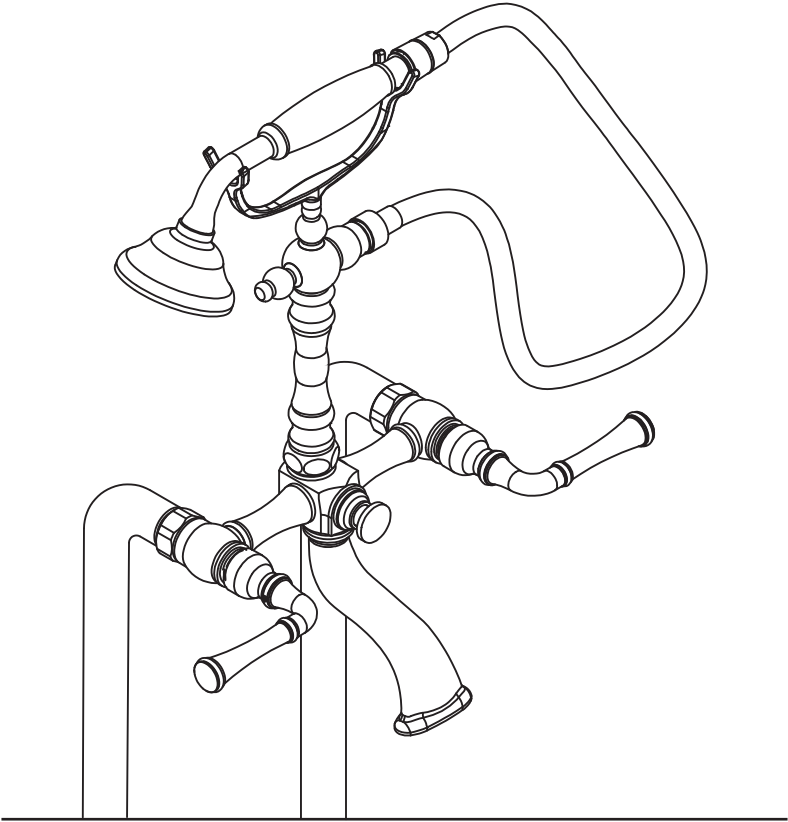


# PHYLTRICH®

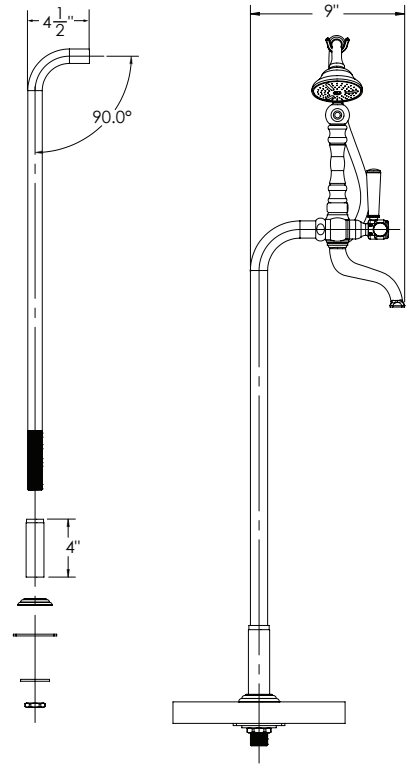
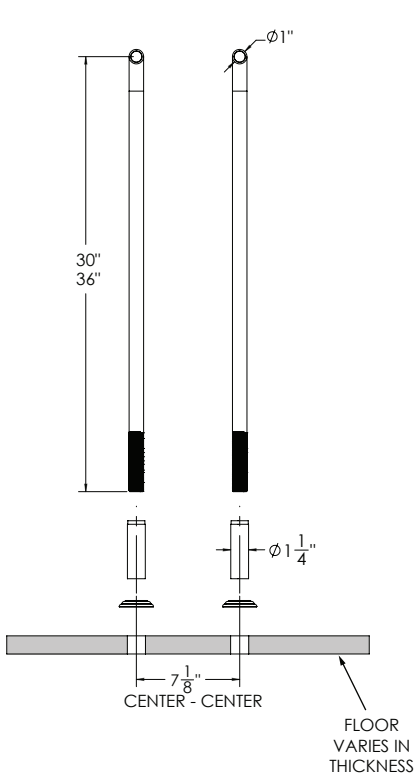
Defining Luxury Since 1959



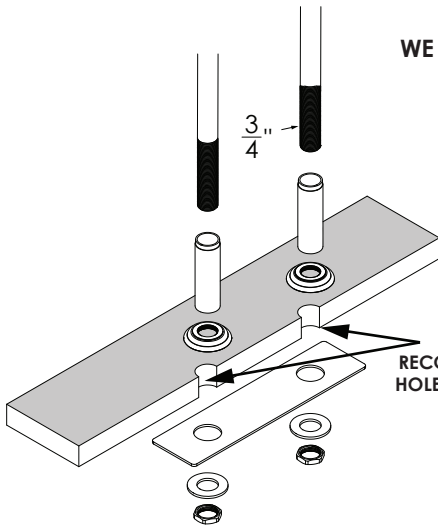
**INSTALLATION INSTRUCTIONS FOR  
Exposed Tub & Shower Set "Old Tyme"  
w/ Riser (30" or 36")**

K2390XFR30 / K2390XFR36

# ROUGH-IN SPECIFICATIONS



**WE RECOMMEND THAT ALL PLUMBING PRODUCTS BE INSTALLED BY A LICENSED PROFESSIONAL**



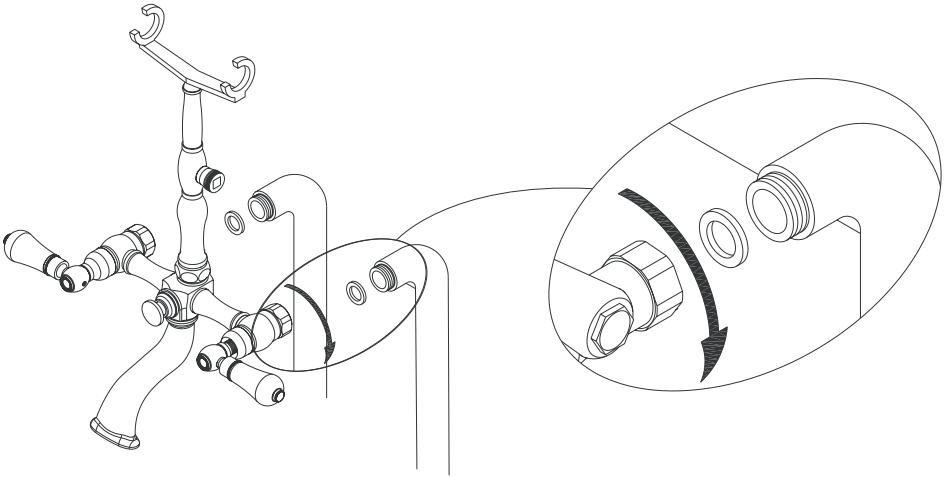
**IMPORTANT:** Flush supply lines of all debris prior to connecting to faucet valve bodies. Debris remaining in the line will **damage valve bodies and may cause leaking**. Failure to flush the lines could result in **VOIDING** the warranty

- Installing this unit in concrete requires the use of 3/4" couplings **(NOT SUPPLIED)**

### Step 3

Attach main tub and shower unit to the risers as shown.

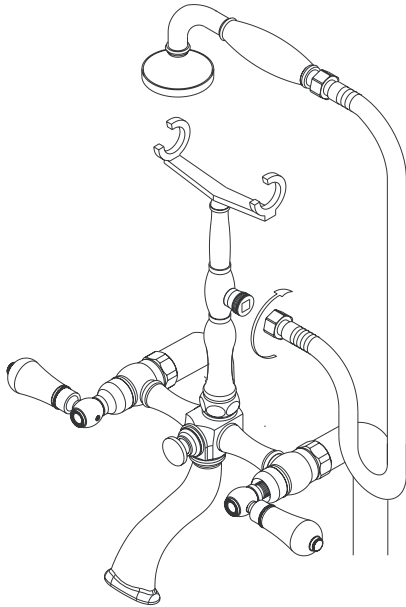
Remove **handles and cartridges** and flush the lines. Replace the cartridges and handles and check for leaks.



### Step 4

Attach hand shower and review measurements.

If the unit **does not reach** into the tub far enough, please contact your local distributor to order part #3-510. This kit will extend the unit **2" further into the tub.**



# PHYLIRICH®

Defining Luxury Since 1959

1261 Logan Ave., Costa Mesa, CA 92626 P: 714.361.4830 F: 714.617.3120  
[www.phylrich.com](http://www.phylrich.com)