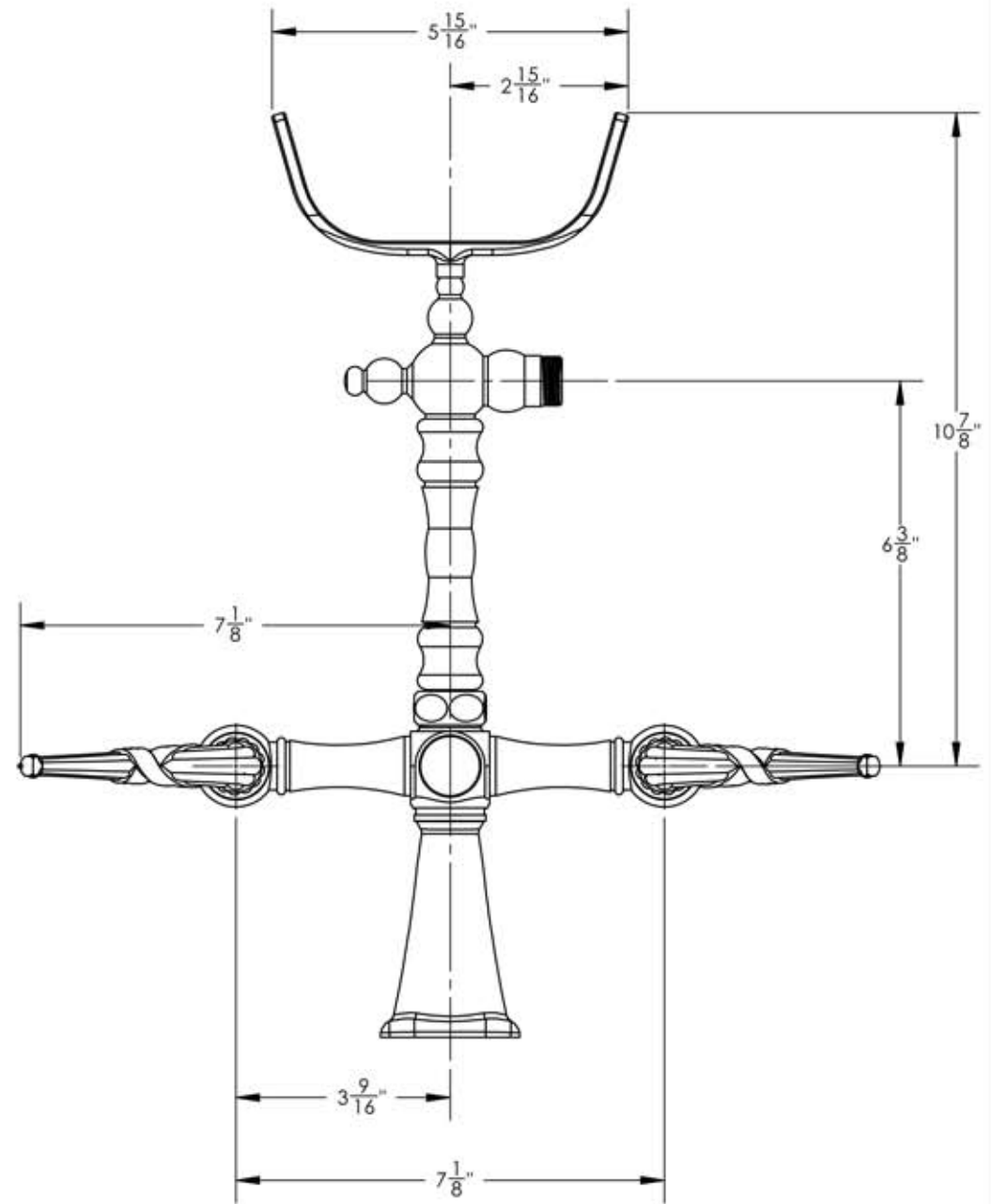
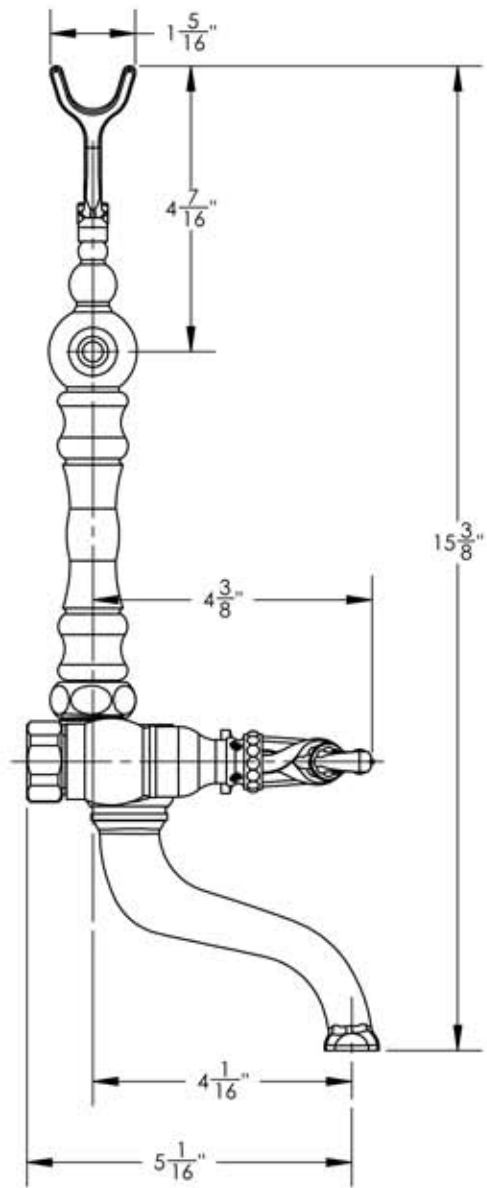


A
B
C
D
E



1261 LOGAN AVENUE
COSTA MESA, CALIFORNIA 92626
PHONE: 714.361.4800
FAX: 714.617.3120

PHYLORICH[®]

Defining Luxury Since 1959

PROPRIETARY AND CONFIDENTIAL
THE INFORMATION CONTAINED IN THIS DRAWING IS THE SOLE PROPERTY OF RSS MANUFACTURING. ANY REPRODUCTION IN PART OR AS A WHOLE WITHOUT THE WRITTEN PERMISSION OF RSS MANUFACTURING IS PROHIBITED.
DO NOT SCALE DRAWING

RIBBON & REED LEVER HANDLE ON EXPOSED TUB & SHOWER SET

SIZE **A** ASM/PRT NO. **K2393-36/00**

REV **A**

SCALE: 1:3

WEIGHT: lbs.

SHEET 2 OF 2

5

4

3

2

1