

ITEM NO.	PART NUMBER	DESCRIPTION	QTY.
1	2-290/00	ASSY, 36" FLOOR RISER, THREADED INSERT, BRAZE	2
2	11134/00	FLANGE, WALL MOUNT/RISER	2
3	10436/00	SLEEVE, FLOOR RISER	2
4	P10004	PLATE FLOOR RISER	1
5	P35317	S.S. WASHER O.D 2" I.D 1" 1/16	2
6	P28022	NUT, 3/4" NPSM	2

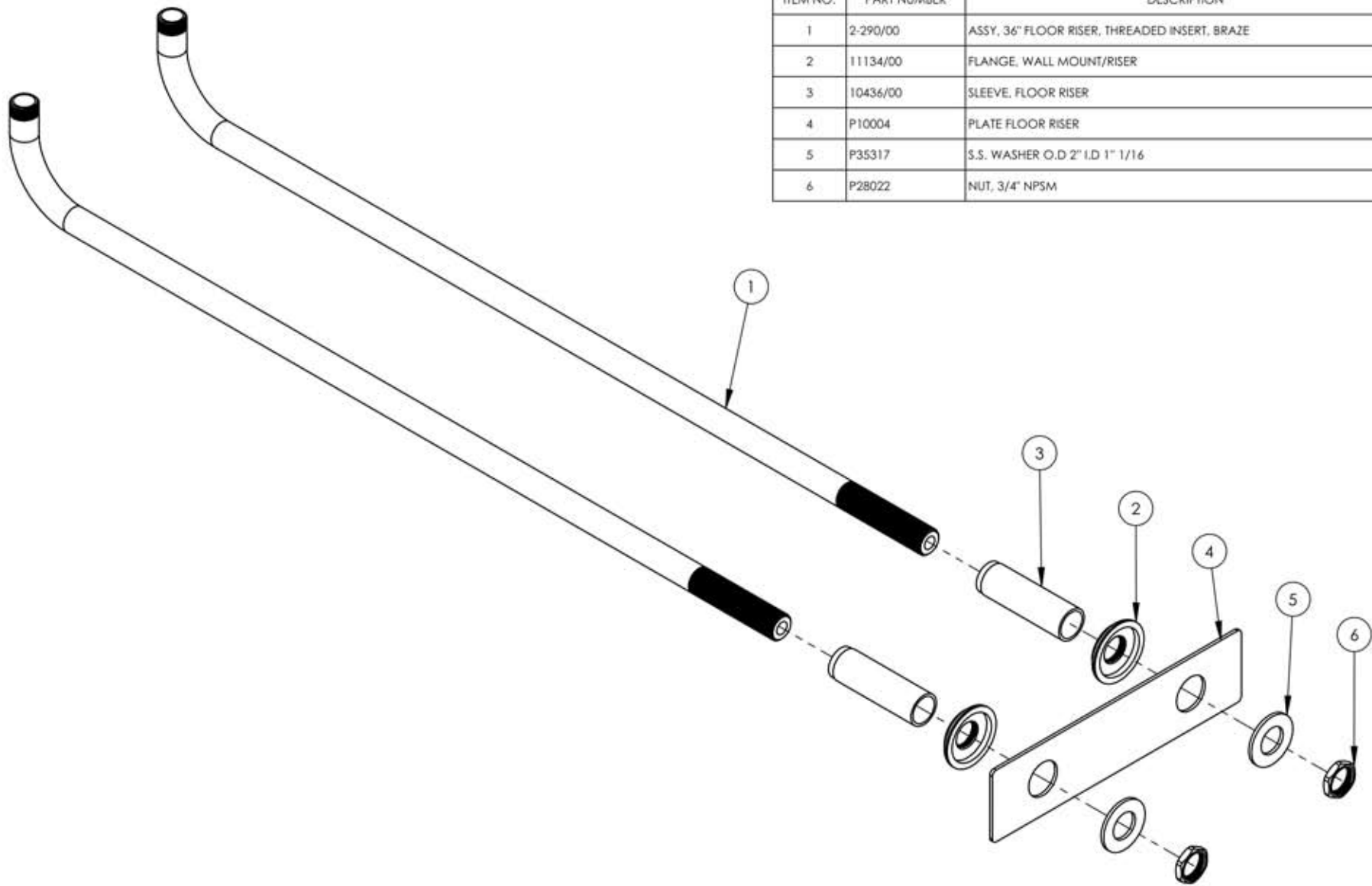
A

B

C

D

E



ZONE	REV.	DESCRIPTION	DATE	APPROVED
		REVISIONS		
1261 LOGAN AVENUE COSTA MESA, CALIFORNIA 92626 PHONE: 714.361.4800 FAX: 714.617.3120		<b>PHYLORICH®</b> Defining Luxury Since 1959	<b>PROPRIETARY AND CONFIDENTIAL</b> THE INFORMATION CONTAINED IN THIS DRAWING IS THE SOLE PROPERTY OF R3S MANUFACTURING. ANY REPRODUCTION IN PART OR AS A WHOLE WITHOUT THE WRITTEN PERMISSION OF R3S MANUFACTURING IS PROHIBITED.	

-	-	INTERPRET GEOMETRIC DIMENSIONING & TOLERANCING IN ACCORDANCE WITH ASME Y14.5-2009 & ASME Y14.41-2003 STANDARDS, UNLESS OTHERWISE SPECIFIED. DIMENSIONS ARE IN INCHES. TOLERANCES ARE:		
-	-			
-	K2393/00			
NEXT ASSY	USED ON	<b>FRACTIONS</b> ±1/64"	<b>DECIMALS</b> X.X: ±.1 X.XX: ±.01 X.XXX: ±.005	<b>ANGULAR</b> ±.5°
APPLICATION			<b>NAME</b>	<b>DATE</b>
MATERIAL			RAH	9/20/2018
FINISH		<b>DRAWN</b>		
<b>DO NOT SCALE DRAWING</b>		<b>CHECKED</b>		

<b>36" FLOOR RISERS FOR OLD TYME WALL MOUNT</b>		
<b>SIZE</b>	<b>ASM/PRT NO.</b>	<b>REV</b>
<b>A</b>	K2390XFR36/00	-
<b>SCALE: 1:5</b>	<b>WEIGHT: lbs.</b>	<b>SHEET 1 OF 1</b>

5

4

3

2

1