

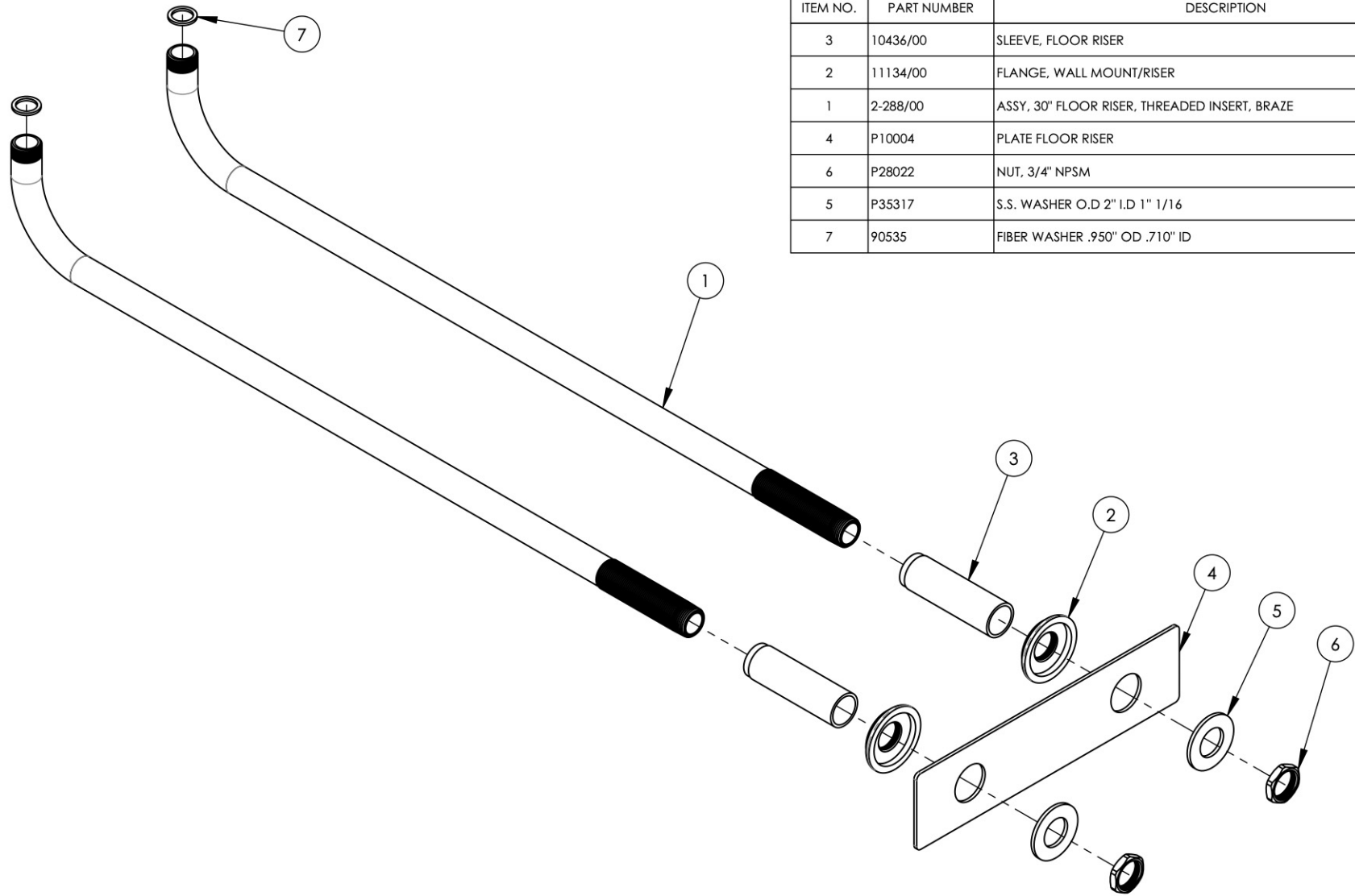
A

B

C

D

ITEM NO.	PART NUMBER	DESCRIPTION	QTY.
3	10436/00	SLEEVE, FLOOR RISER	2
2	11134/00	FLANGE, WALL MOUNT/RISER	2
1	2-288/00	ASSY, 30" FLOOR RISER, THREADED INSERT, BRAZE	2
4	P10004	PLATE FLOOR RISER	1
6	P28022	NUT, 3/4" NPSM	2
5	P35317	S.S. WASHER O.D 2" I.D 1" 1/16	2
7	90535	FIBER WASHER .950" OD .710" ID	2



ALL	A	ADD 2ND SHEET	10/16/2019	AMM
ZONE	REV.	DESCRIPTION	DATE	APPROVED

REVISIONS

PROPRIETARY AND CONFIDENTIAL

THE INFORMATION CONTAINED IN THIS DRAWING IS THE SOLE PROPERTY OF RSS MANUFACTURING. ANY REPRODUCTION IN PART OR AS A WHOLE WITHOUT THE WRITTEN PERMISSION OF RSS MANUFACTURING IS PROHIBITED.

1261 LOGAN AVENUE
COSTA MESA, CALIFORNIA 92626
PHONE: 714.361.4800
FAX: 714.617.3120



MANUFACTURING

-	-	INTERPRET GEOMETRIC DIMENSIONING & TOLERANCING IN ACCORDANCE WITH ASME Y14.5-2009 & ASME Y14.41-2003 STANDARDS, UNLESS OTHERWISE SPECIFIED. DIMENSIONS ARE IN INCHES. TOLERANCES ARE:		
NEXT ASSY	USED ON	FRACTIONS ±1/64"	DECIMALS X.X: ±.1 X.XX: ±.01 X.XXX: ±.005	ANGULAR ±.5°
APPLICATION		NAME	DATE	
MATERIAL		DRAWN	RAH 9/20/2018	
FINISH		CHECKED		
DO NOT SCALE DRAWING				

30" FLOOR RISERS FOR OLD TYME FLOOR MOUNT

SIZE	ASM/PRT NO.	REV
A	K2390XFR30/00	A

SCALE: 1:5	WEIGHT: lbs.	SHEET 1 OF 2
------------	--------------	--------------

5

4

3

2

1

E