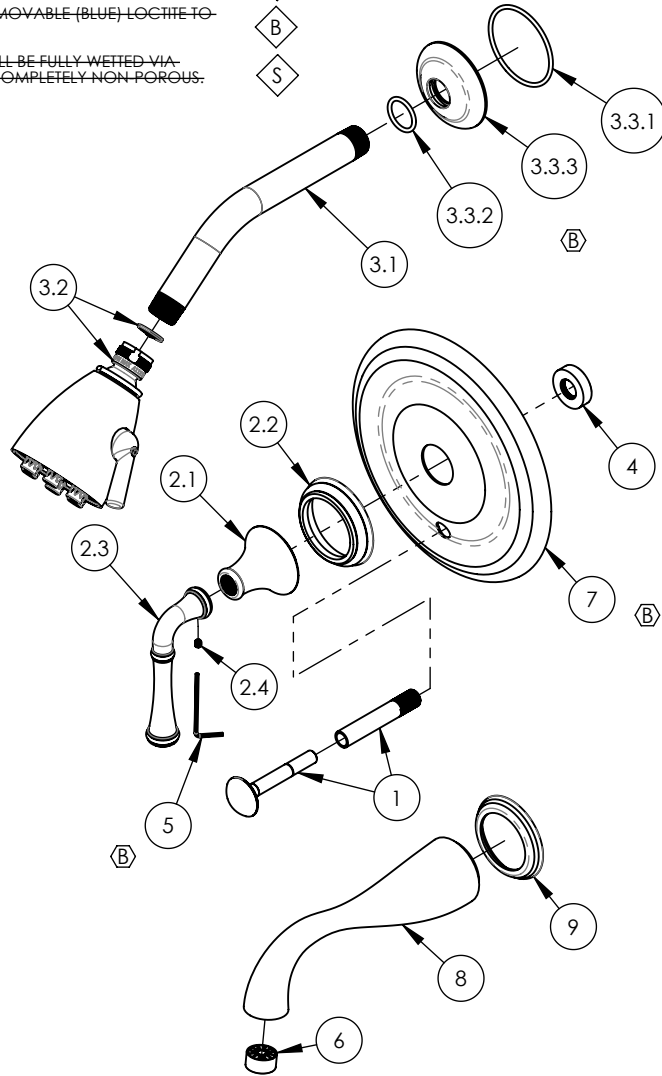


- NOTE(S):
1. PART NUMBER, "/00" DENOTES PART SHALL HAVE FINISH.
 2. APPLY NSF COMPLIANT GREASE TO ANY O-RING, SEALING JOINTS, AND/OR PIVOTAL POINTS.
 3. APPLY NSF COMPLIANT LOCTITE TO THREADED AREA.
 4. APPLY NSF COMPLIANT REMOVABLE (BLUE) LOCTITE TO THREADED AREA.
 5. SILVER SOLDER JOINTS SHALL BE FULLY WETTED VIA CAPILLARY ACTION AND COMPLETELY NON-POROUS.



ITEM NO.	PART NUMBER	DESCRIPTION	QTY.
1	3-125/00	DIVERTER EXTENSION ASSY FOR PB TUB & SHOWER SET	1
2	3-475/00	ASSY. LEVER HANDLE, 3 RING SERIES	1
2.1	10972/00	HUB, TRANSITIONAL 3RING	1
2.2	11188/00	ESCUTCHEON, HANDLE BASE 3RING	1
2.3	P01079/00	HANDLE, STRAIGHT LEVER 3RING 205	1
2.4	92008	SET SCREW, CUP POINT 8-32, 3/16" L.	1
3	4-140/00	SHOWER HEAD 8" ARM, 6 JET PLUNGER, HEX TRADITIONAL	1
3.1	P16008/00	SHOWER ARM (8 INCH)	1
3.2	3-018/00	SHOWERHEAD SIX JET	1
3.3	3-720/00	SHOWER FLANGE, REGENT	1
3.3.1	90138	O-RING, 2 1/8"ID X 3/32"THK., AS-568-138	1
3.3.2	90117	O-RING, 7/8"ID X 33/32"THK., AS-568-117	1
3.3.3	P16011/00	K803 SHOWER FLANGE	1
4	11087	SLEEVE FOR PB-THERM PLATE	1
5	92021	HEX KEY 5/64, FOR 8-32 SET SCREW	1
6	P03061	#CH-101-6 PLTC WTR STNR FOR SPOUT	1
7	P17011/00	TRIM PLATE, PRESSURE BALANCE, SMOOTH, DOUBLE HOLE	1
8	P26001/00	DORALFE WALL TUB SPOUT	1
9	P26018/00	ESCUTCHEON BASE, 3RING WALL SPOUT	1

ALL	B	UPDATE TRIM PLATE, HEX KEY, AND SHOWER FLANGE SUBASSY	4/23/2021	AMM
ZONE	REV.	DESCRIPTION	DATE	APPROVED
REVISIONS				

1261 LOGAN AVENUE
COSTA MESA, CALIFORNIA 92626
PHONE: 714.361.4800
FAX: 714.617.3120

PHYLIRICH[®]
Defining Luxury Since 1959

PROPRIETARY AND CONFIDENTIAL
THE INFORMATION CONTAINED IN THIS DRAWING IS THE SOLE PROPERTY OF PHYLIRICH. ANY REPRODUCTION IN PART OR AS A WHOLE WITHOUT THE WRITTEN PERMISSION OF PHYLIRICH IS PROHIBITED.
DO NOT SCALE DRAWING

PB TUB & SHOWER SET TRIM 3RING SERIES,
STRAIGHT LEVER (205-26/00)

SIZE A	ASM/PRT NO. DPB2205/00	REV B
SCALE: 1:5	WEIGHT: lbs.	SHEET 1 OF 2

5

4

3

2

1

E

E

D

D

C

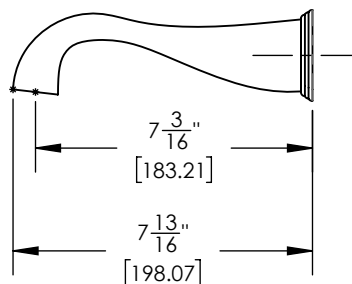
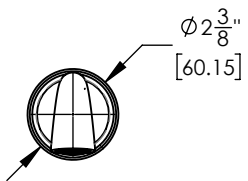
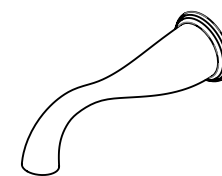
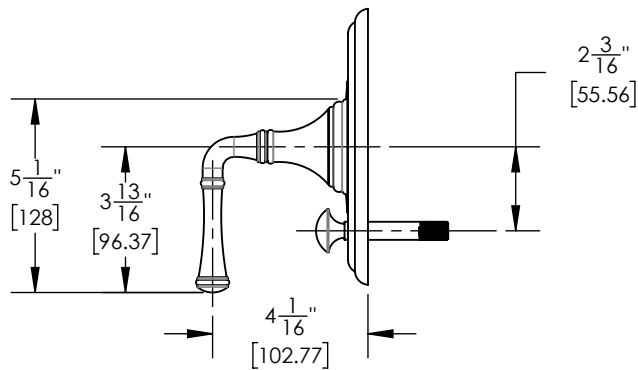
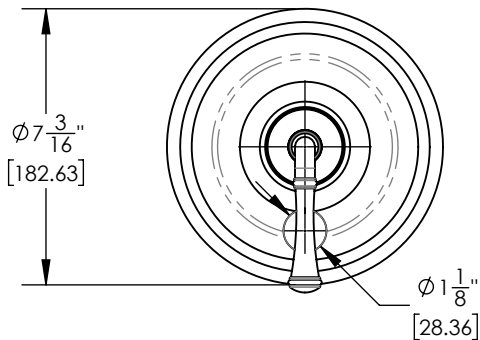
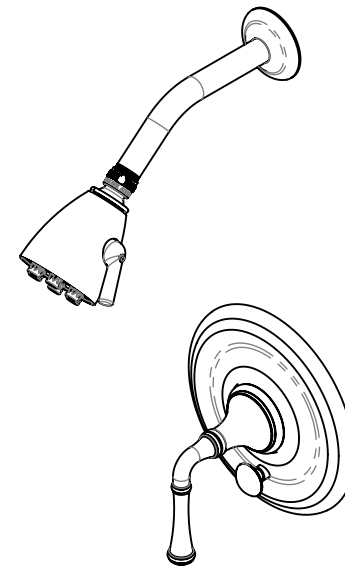
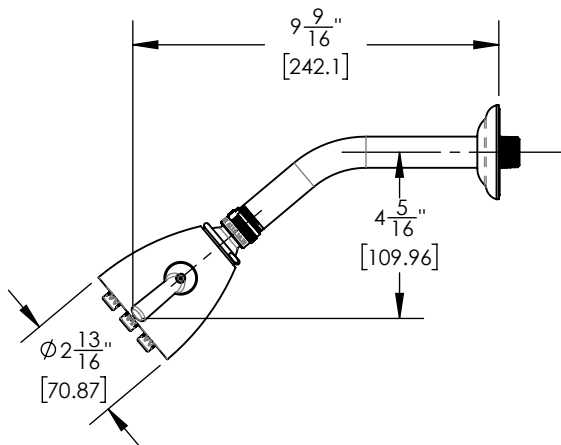
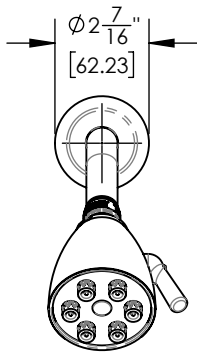
C

B

B

A

A



1261 LOGAN AVENUE
COSTA MESA, CALIFORNIA 92626
PHONE: 714.361.4800
FAX: 714.617.3120

PHYLIRICH[®]
Defining Luxury Since 1959

PROPRIETARY AND CONFIDENTIAL
THE INFORMATION CONTAINED IN THIS DRAWING IS THE SOLE PROPERTY OF PHYLIRICH. ANY REPRODUCTION IN PART OR AS A WHOLE WITHOUT THE WRITTEN PERMISSION OF PHYLIRICH IS PROHIBITED.
DO NOT SCALE DRAWING

PB TUB & SHOWER SET TRIM 3RING SERIES, STRAIGHT LEVER (205-26/00)

SIZE A	ASM/PRT NO. DPB2205/00	REV B
------------------	---------------------------	----------

SCALE: 1:6	WEIGHT: lbs.	SHEET 2 OF 2
------------	--------------	--------------

5

4

3

2

1