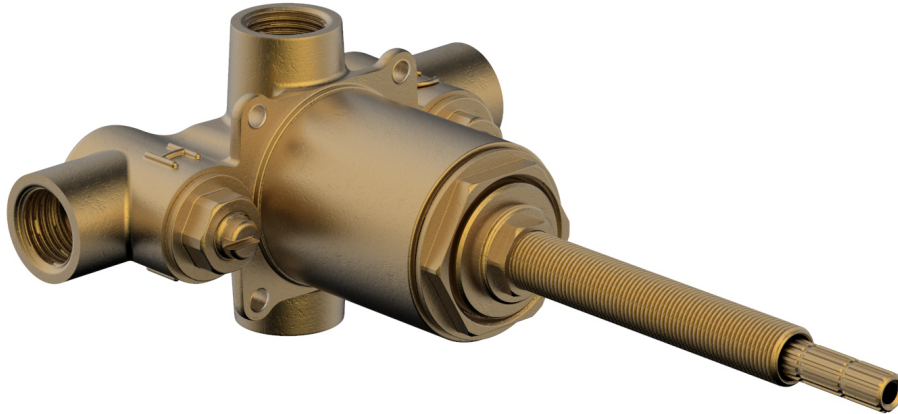


DFPHY



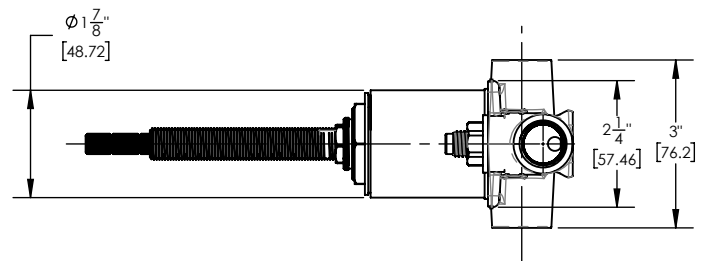
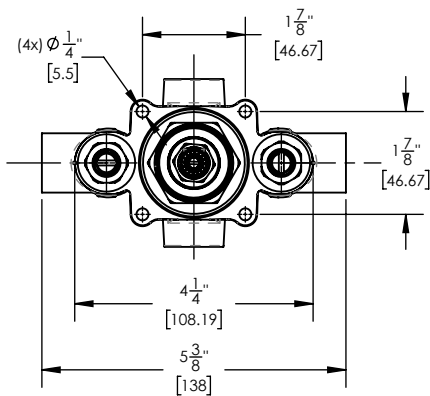
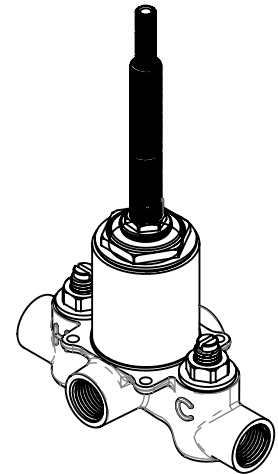
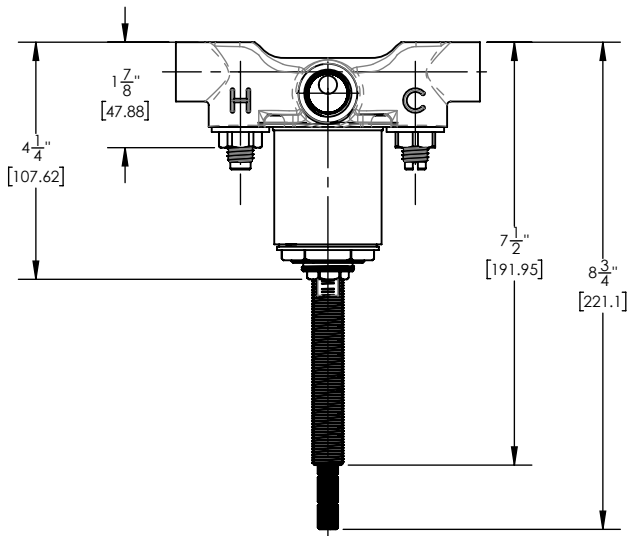
■ **PRODUCT FEATURES**

- Female 1/2" NPT inlets and outlets
- Factory temperature setting = 118°F (48°C)
- Temperature Hot Supply = 149°F to 180°F (65° to 82°C)
- Temperature Cold Supply = 50°F to 72°F (10° to 22°C)
- Adjustable Temperature Limit Stop
- Temperature stability compliant with ASSE 1016

■ **TECHNICAL DETAILS**

ADA Compliance: No  
 Primary Material: Brass

■ **PRODUCT DIMENSIONS**



[www.phylrich.com](http://www.phylrich.com)

1261 Logan Avenue, Costa Mesa, California 92626.  
 Phone: 714.361.4800 Fax: 714.617.3120



**CODES & STANDARDS**

ASME A112.181/ CSA B1251, ASSE 1016

**WARRANTY**

Mechanical Warranty: 10 Years from date of purchase.  
 Finish Warranty: See catalog for further information.

Rev-