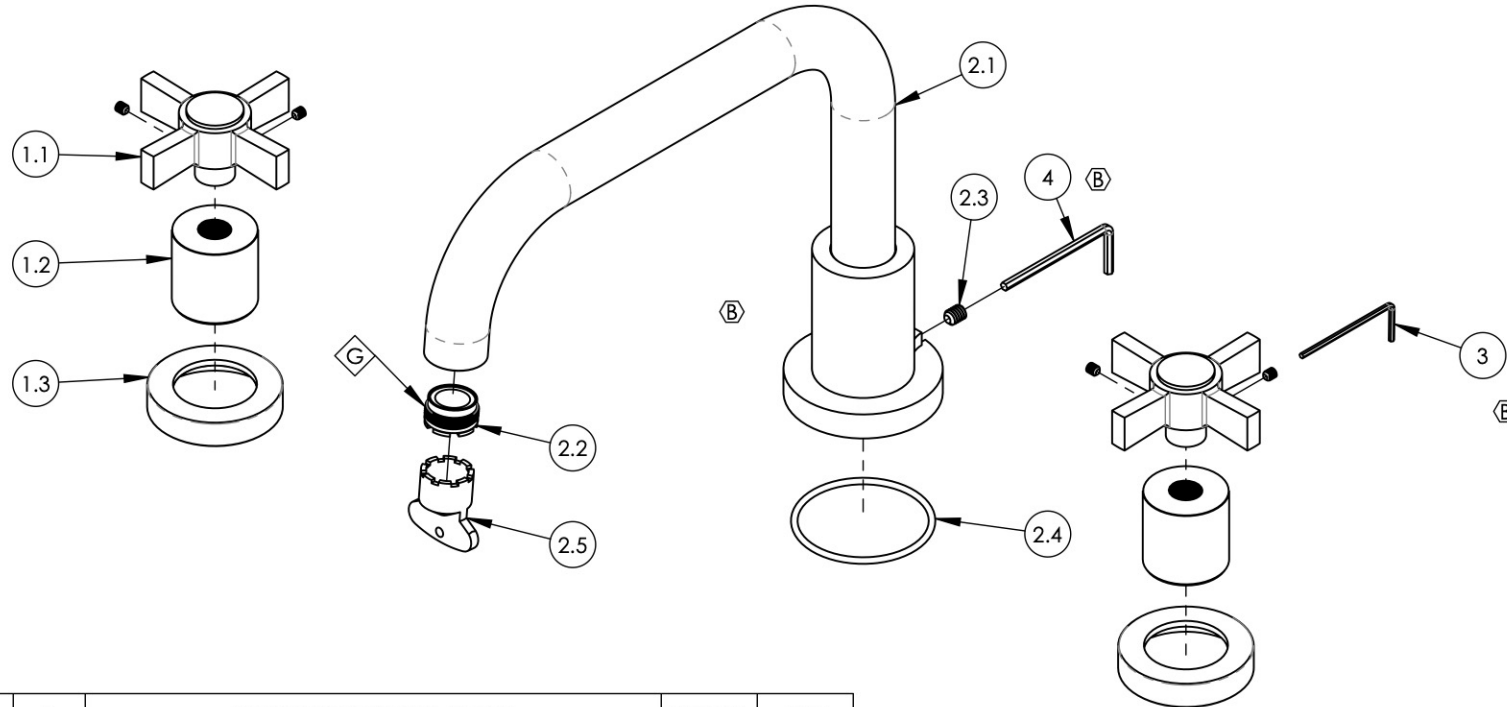


- NOTE(S):  
 1. PART NUMBER, "/00" DENOTES PART SHALL HAVE FINISH.  
 2. APPLY NSF COMPLIANT GREASE TO ANY O-RING, SEALING JOINTS, AND/OR PIVOTAL POINTS.  
 3. APPLY NSF COMPLIANT LOCTITE TO THREADED AREA.  
 4. APPLY NSF COMPLIANT REMOVABLE (BLUE) LOCTITE TO THREADED AREA.  
 5. SILVER SOLDER JOINTS SHALL BE FULLY WETTED VIA CAPILLARY ACTION AND COMPLETELY NON-POROUS.



ITEM NO.	PART NUMBER	DESCRIPTION	QTY.
1	3-187/00	BLADE CROSS HANDLE FOR DECK TUB, BASIC SERIES	2
1.1	3-440/00	ASSY. BLADE HANDLE, BASIC SERIES	1
1.2	11107/00	HUB LARGE FOR RT, BASIC SERIES	1
1.3	11108/00	ESCUTCHEON LARGE ID FOR RT/PB, BASIC SERIES	1
2	3-191/00	DECK TUB, SPOUT ONLY, LOW SPOUT, BASIC	1
2.1	2-168/00	SUB ASSY. FLAT TUB SPOUT, DECK TUB BASIC	1
2.2	P05024	AERATOR CACHE COIN SLOT, M21.5X1.0 FULL FLOW	1
2.3	92127	SET SCREW, CUP PT, 1/4"-20 X 5/16"L, SS	1
2.4	90137	O-RING, 2-1/16"ID X 3/32"THK., AS-568-137	1
2.5	P05025	AERATOR, BASIC KEY, PLASTIC RED	1
3	92021	HEX KEY 5/64, FOR 8-32 SET SCREW	1
4	92216	HEX L-KEY 1/8" HEX x 2-5/16"L	1



ALL	B	UPDATE SPOUT ASSEMBLY & HEX KEYS	11/9/2021	AMM
ZONE	REV.	DESCRIPTION	DATE	APPROVED
REVISIONS				

1261 LOGAN AVENUE  
 COSTA MESA, CALIFORNIA 92626  
 PHONE: 714.361.4800  
 FAX: 714.617.3120

**PHYLIRICH**<sup>®</sup>  
 Defining Luxury Since 1959

**PROPRIETARY AND CONFIDENTIAL**  
 THE INFORMATION CONTAINED IN THIS DRAWING IS THE SOLE PROPERTY OF PHYLIRICH. ANY REPRODUCTION IN PART OR AS A WHOLE WITHOUT THE WRITTEN PERMISSION OF PHYLIRICH IS PROHIBITED.  
**DO NOT SCALE DRAWING**

**DECK TUB SET, LOW SPOUT W/ CROSS BLADE, BASIC, (132-41)**

SIZE <b>A</b>	ASM/PRT NO. D1139D/00	REV B
SCALE: 1:3	WEIGHT: lbs.	SHEET 1 OF 2