

5

4

3

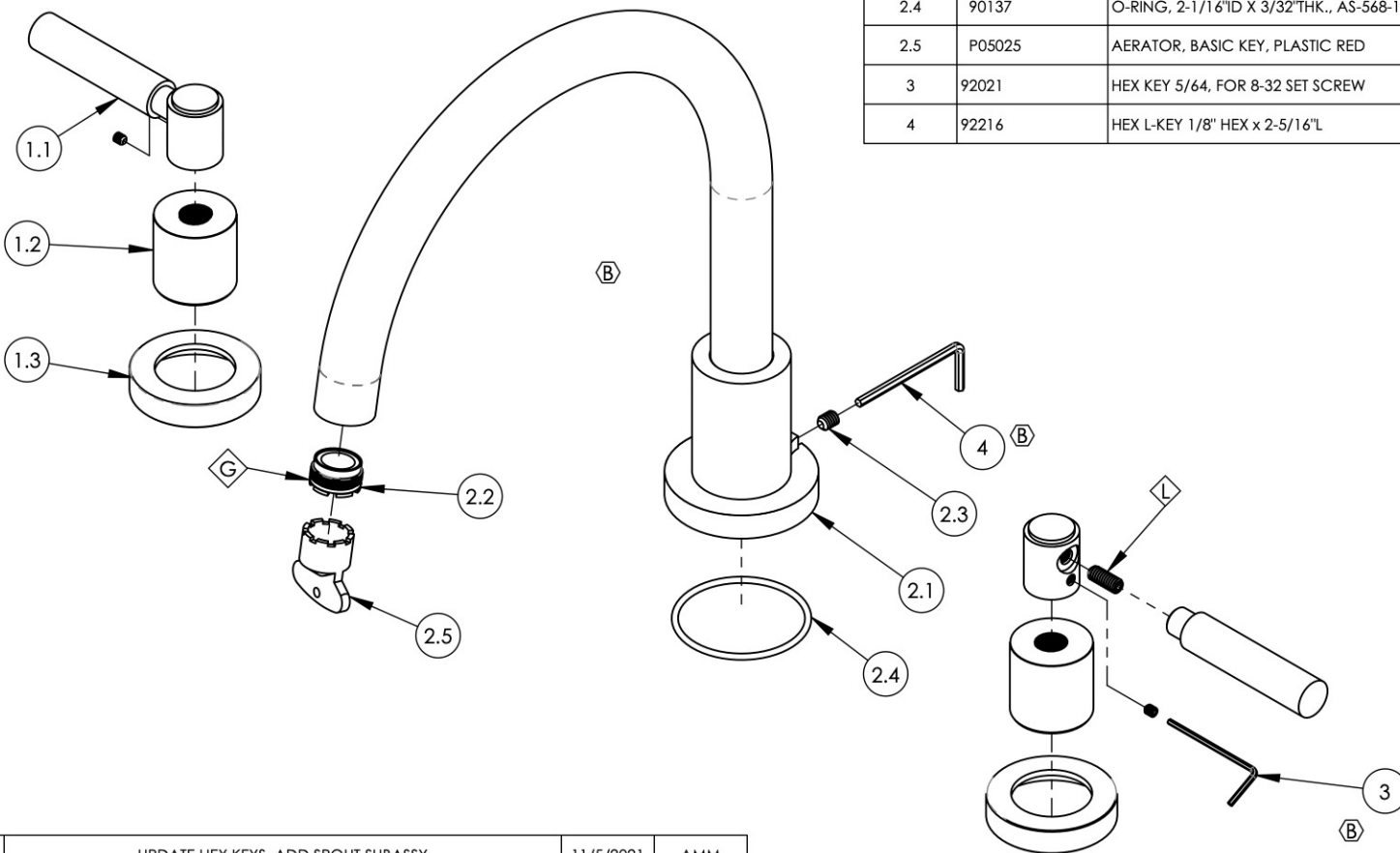
2

1

- NOTE(S):
- PART NUMBER, "/00" DENOTES PART SHALL HAVE FINISH.
  - APPLY NSF COMPLIANT GREASE TO ANY O-RING, SEALING JOINTS, AND/OR PIVOTAL POINTS.
  - APPLY NSF COMPLIANT LOCTITE TO THREADED AREA.
  - APPLY NSF COMPLIANT REMOVABLE (BLUE) LOCTITE TO THREADED AREA.
  - SILVER SOLDER JOINTS SHALL BE FULLY WETTED VIA CAPILLARY ACTION AND COMPLETELY NON-POROUS.



ITEM NO.	PART NUMBER	DESCRIPTION	QTY.
1	3-185/00	STRAIGHT LEVER HANDLE FOR DECK TUB, BASIC SERIES	2
1.1	3-408/00	ASSY. LEVER HANDLE, BASIC SERIES.	1
1.2	11107/00	HUB LARGE FOR RT, BASIC SERIES	1
1.3	11108/00	ESCUTCHEON LARGE ID FOR RT/PB, BASIC SERIES	1
2	3-190/00	DECK TUB, SPOUT ONLY, HIGH SPOUT, BASIC	1
2.1	2-167/00	SUB ASSY. HIGH ARC TUB SPOUT, DECK TUB BASIC	1
2.2	P05024	AERATOR CACHE COIN SLOT, M21.5X1.0 FULL FLOW	1
2.3	92127	SET SCREW, CUP PT, 1/4"-20 X 5/16"L, SS	1
2.4	90137	O-RING, 2-1/16"ID X 3/32"THK., AS-568-137	1
2.5	P05025	AERATOR, BASIC KEY, PLASTIC RED	1
3	92021	HEX KEY 5/64, FOR 8-32 SET SCREW	1
4	92216	HEX L-KEY 1/8" HEX x 2-5/16"L	1



ZONE	REV.	DESCRIPTION	DATE	APPROVED
C3, B2	B	UPDATE HEX KEYS, ADD SPOUT SUBASSY	11/5/2021	AMM
REVISIONS				

1261 LOGAN AVENUE  
COSTA MESA, CALIFORNIA 92626  
PHONE: 714.361.4800  
FAX: 714.617.3120

**PHYLIRICH**<sup>®</sup>  
Defining Luxury Since 1959

**PROPRIETARY AND CONFIDENTIAL**  
THE INFORMATION CONTAINED IN THIS DRAWING IS THE SOLE PROPERTY OF PHYLIRICH. ANY REPRODUCTION IN PART OR AS A WHOLE WITHOUT THE WRITTEN PERMISSION OF PHYLIRICH IS PROHIBITED.  
**DO NOT SCALE DRAWING**

**DECK TUB SET, HIGH SPOUT W/ LEVER TUBULAR, BASIC, (130-40)**

SIZE <b>A</b>	ASM/PRT NO. D1130C/00	REV B
SCALE: 1:3	WEIGHT: lbs.	SHEET 1 OF 2

5

4

3

2

1