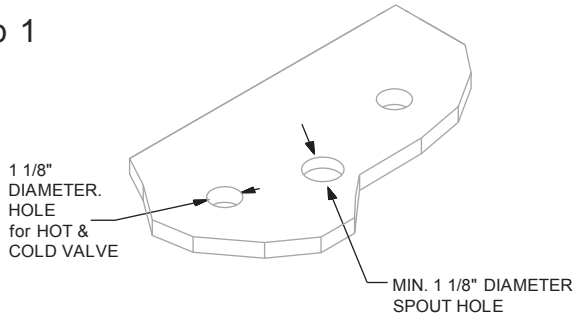
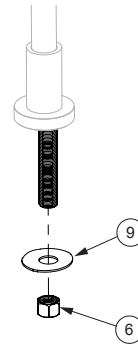


Step 1



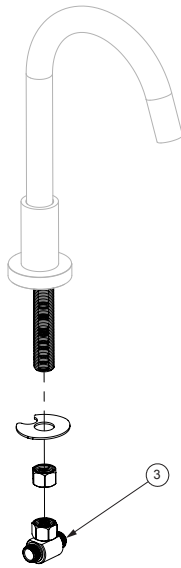
Should a counter top need to be drilled, please reference the diagram above.

Step 2



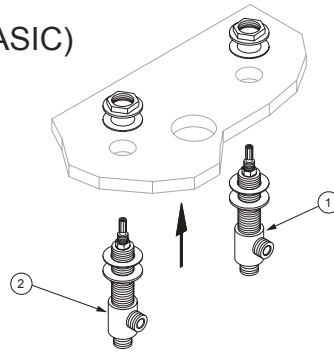
Insert spout base nipple into center hole in lavatory or counter top. Install stainless washer (9) and nut (6) on spout nipple and tighten.

Step 3



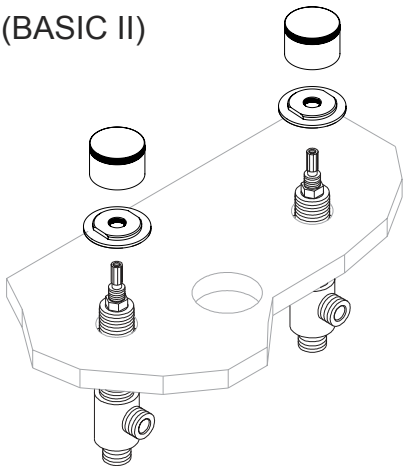
Install spout tee assembly (3) as shown in diagram.

Step 4 (BASIC)



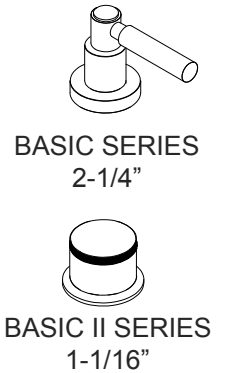
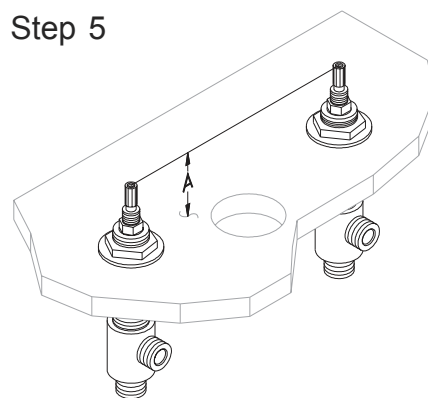
Remove top fastening nut and washer from the lavatory valve. (NOTE A: All lever handle sets are supplied with one right-hand valve and one left-hand valve. Install valve with the blue dot on the cold side.)
Insert valve from below through hole in lavatory or counter-top.

Step 4 (BASIC II)



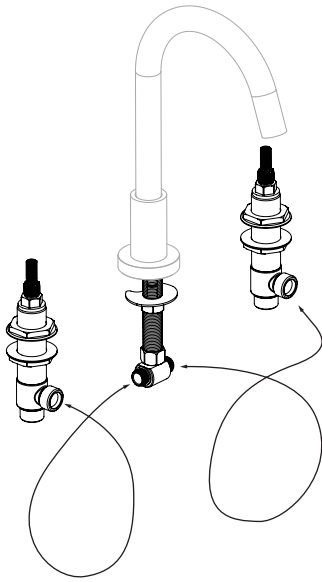
Please note that for the BASIC II Series you will be using the handle escutcons in place of the top valve fastening nut.

Step 5



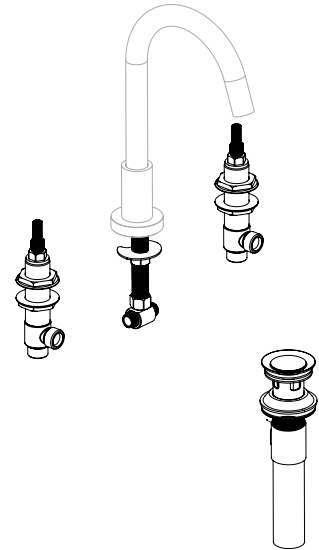
Set valve to proper rough-in height "A", by adjusting bottom-fastening nut. Secure valve by tightening top fastening nut
*YOU MAY NEED TO CUT THE ALL BROACHED STEM TO REDUCE THE VISIBILITY BETWEEN HANDLE AND ESCUTCHEON. Repeat procedure for the second lavatory valve.

Step 6



Connect stainless steel flex lines from valve outlets to spout tee (3). Flex lines should be looped as shown in diagram. FLEX LINES MUST NOT BE KINKED. Adjust valves and or spout tee to eliminate and kinking in the flex lines. Install escutcheons onto the valves and hand tighten. Do not over-tighten. Install handles onto valve stems

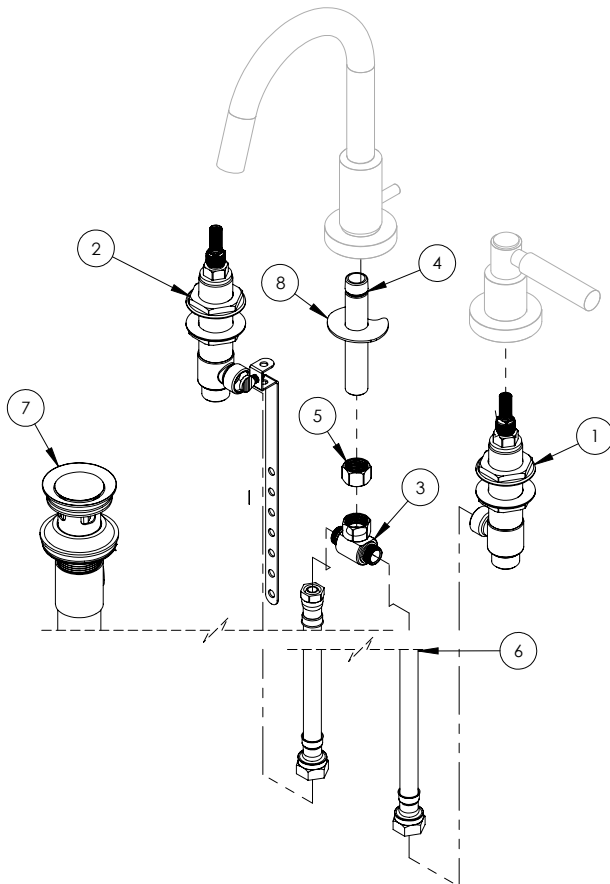
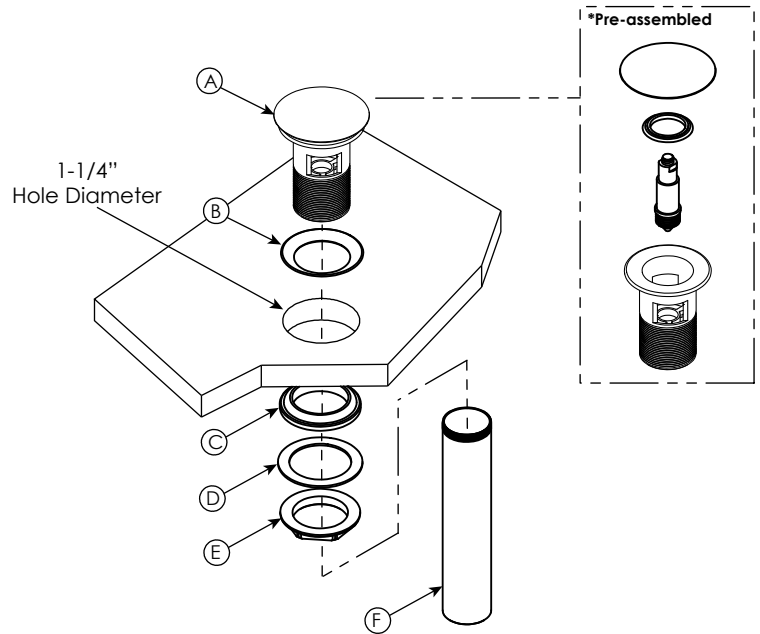
Step 7



THIS STEP MUST BE COMPLETED TO ADHERE TO THE LIMITED LIFETIME WARRANTY. Flush hot and cold supply lines before connecting faucet to supply lines. Connect the supplies to the bottom of the lavatory valves using the brass coupling nuts (5) provided or with a flexible line. Connect your waste P-trap to the drain tail piece.

▪ DRAIN ASSEMBLY

Insert ***Pre-assembled drain rim (A)** into the basin placing the **Teflon washer (B)** under the rim. From below slip on **washer (C)** onto the bottom thread of the drain rim and secure to basin with **drain nut and washer (D & E)** then insert **Tail tube drain (F)** onto the **drain rim (A)**



ITEM NO.	PART NUMBER	DESCRIPTION	QTY.
1	1-150	WIDESPREAD VALVE COLD LAV 16PT	1
2	1-149	WIDESPREAD VALVE HOT LAV 16PT	1
3	1-112	TEE VALVE, 3/8" NPSM X 3/8" COMPRESSION	1
4	10745	THREADALL, 3/8"-18 NPSL	1
5	10746	NUT, 3/8"-18 NPSL	1
6	10982	HOSE, 3/8" COMP. X 1/2" NPSM - 12'L	2
7	3-517	PUSH TO CLOSE DRAIN	1
8	92174	WASHER MOUNT WIDESPREAD (3/8")	1