

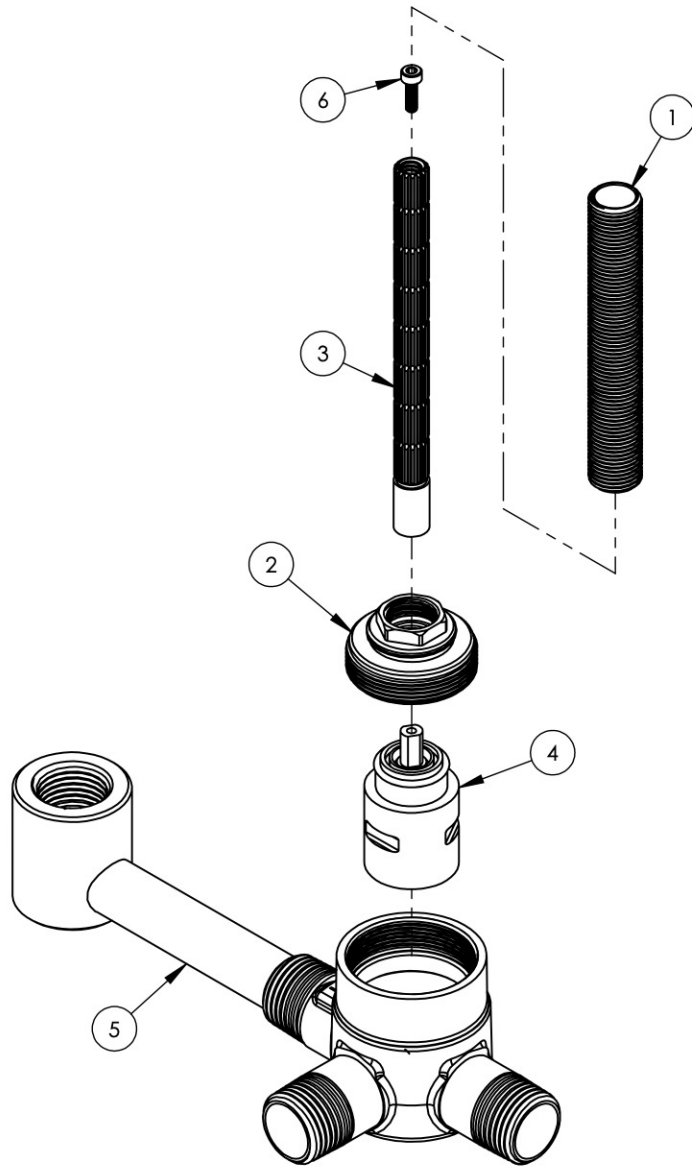
A

B

C

D

E



ITEM NO.	PART NUMBER	DESCRIPTION	QTY.
1	10209	SHANK, NIPPLE THREAD ALL 9/16"-20UN WITH .433"ID	1
2	10485	NUT, SINGLE HANDLE WALL VALVE	1
3	10486	STEM EXTENSION, 16PT. EXT. BROACH, SINGLE HANDLE WALL VALVE	1
4	10488	STSR CARTDRIDGE ST233, CLOSED TYPE	1
5	2-178	SUB ASSY. SINGLE HANDLE WALL VALVE	1
6	92159	M3 X 10MM SOCKET HEAD SCREW, STAINLESS S.	1

ZONE	REV.	DESCRIPTION	DATE	APPROVED
REVISIONS				

ZONE	REV.	DESCRIPTION	DATE	APPROVED
REVISIONS				

1261 LOGAN AVENUE COSTA MESA, CALIFORNIA 92626 PHONE: 714.361.4800 FAX: 714.617.3120		 RSS MANUFACTURING		PROPRIETARY AND CONFIDENTIAL THE INFORMATION CONTAINED IN THIS DRAWING IS THE SOLE PROPERTY OF RSS MANUFACTURING. ANY REPRODUCTION IN PART OR AS A WHOLE WITHOUT THE WRITTEN PERMISSION OF RSS MANUFACTURING IS PROHIBITED.	
---	--	--	--	---	--

-	-	INTERPRET GEOMETRIC DIMENSIONING & TOLERANCING IN ACCORDANCE WITH ASME Y14.5-2009 & ASME Y14.41-2003 STANDARDS. UNLESS OTHERWISE SPECIFIED, DIMENSIONS ARE IN INCHES. TOLERANCES ARE:		
-	-			
-	-			
NEXT ASSY	USED ON	FRACTIONS ±1/64"	DECIMALS X.X: ±.1 X.XX: ±.01 X.XXX: ±.005	ANGULAR ±.5°
APPLICATION				
MATERIAL				
FINISH	DRAWN	NAME	DATE	
		LLO	9/8/2015	
DO NOT SCALE DRAWING		CHECKED	GRE	

SINGLE HANDLE WALL VALVE

SIZE	ASM/PRT NO.	REV
A	9090536	-
SCALE: 1:2	WEIGHT: lbs.	SHEET 1 OF 2

5

4

3

2

1