

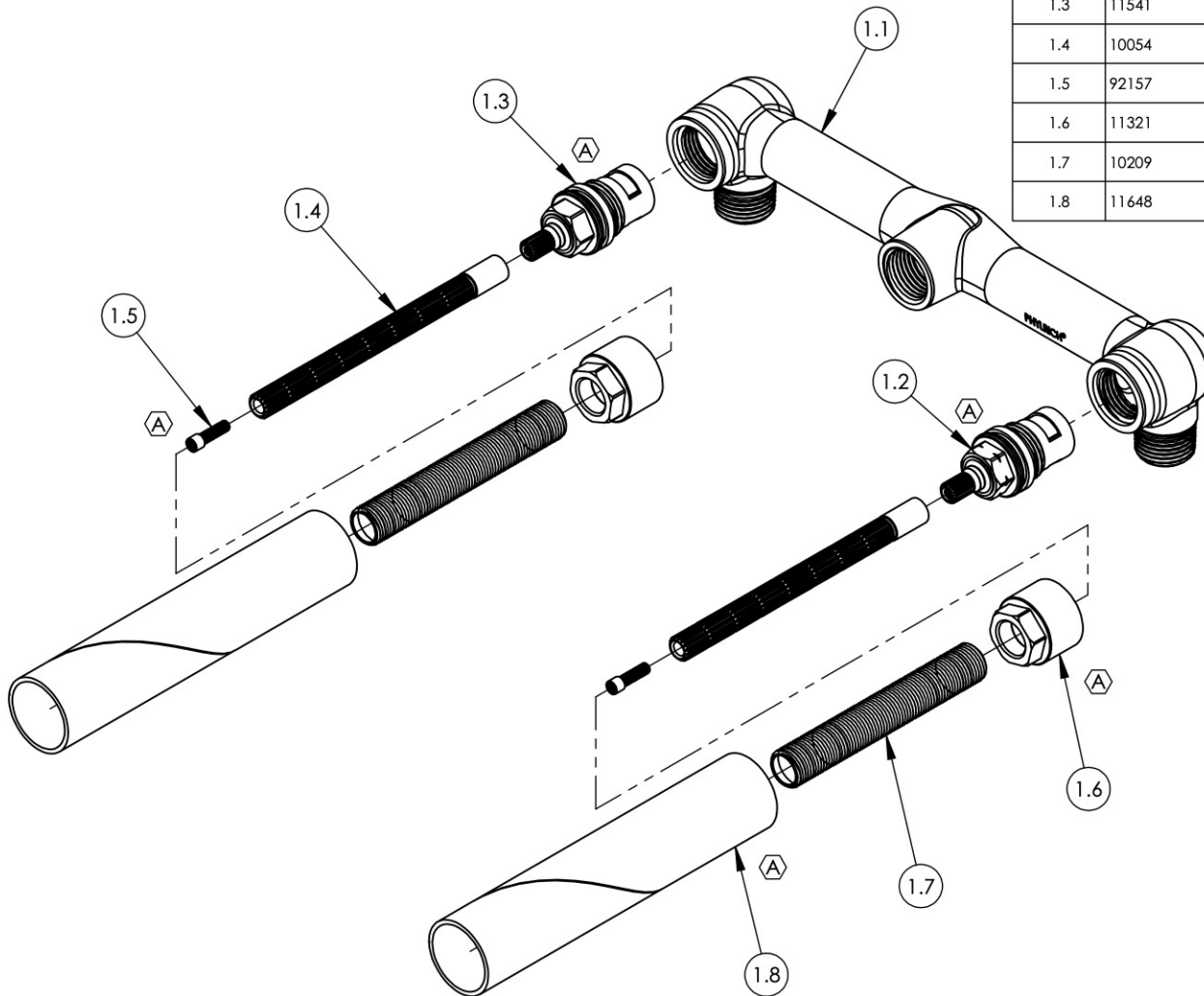
ITEM NO.	PART NO.	DESCRIPTION	QTY.
1	1-047	INWALL LAV, TWO HANDLE G1/2" 16PT, NO LEAD	1
1.1	10106	VALVE BODY, LAV INWALL	1
1.2	11540	CARTRIDGE, 1/2"G 20PT HOT, HI-TRQ LLL, EXACTO	1
1.3	11541	CARTRIDGE, 1/2" 20PT COLD, HI-TRQ LLL, EXACTO	1
1.4	10054	STEM EXTENSION, 6" LONG 20PT INT. TO 16PT LONG EXT. BROACH	2
1.5	92157	SCREW, SMALL HD M4X0.7 - 1/2"L	2
1.6	11321	CARTRIDGE RETAINER NUT	2
1.7	10209	SHANK, NIPPLE THREAD ALL 9/16"-20UN WITH .433"ID	2
1.8	11648	MUD GUARD, CARDBOARD, LONG	2

A

B

C

D



B3	A	UPDATED CARTRIDGES, RETAINER NUT, SCREW AND MUD GUARD	2/22/2018	RAH
ZONE	REV.	DESCRIPTION	DATE	APPROVED

REVISIONS

PROPRIETARY AND CONFIDENTIAL

THE INFORMATION CONTAINED IN THIS DRAWING IS THE SOLE PROPERTY OF RSS MANUFACTURING. ANY REPRODUCTION IN PART OR AS A WHOLE WITHOUT THE WRITTEN PERMISSION OF RSS MANUFACTURING IS PROHIBITED.

1261 LOGAN AVENUE
COSTA MESA, CALIFORNIA 92626
PHONE: 714.361.4800
FAX: 714.617.3120



NEXT ASSY		USED ON		INTERPRET GEOMETRIC DIMENSIONING & TOLERANCING IN ACCORDANCE WITH ASME Y14.5-2009 & ASME Y14.41-2003 STANDARDS. UNLESS OTHERWISE SPECIFIED, DIMENSIONS ARE IN INCHES. TOLERANCES ARE:		
APPLICATION		FRACTIONS	DECIMALS	ANGULAR		
MATERIAL		±1/64"	X.X: ±.1	X.XX: ±.01		
FINISH			X.XXX: ±.005	±.5°		
DRAWN		NAME	DATE			
CHECKED		MAF	6/18/2013			
DO NOT SCALE DRAWING		GRE				

ASSY, WALL LAVATORY SET VALVE

SIZE	ASM/PRT NO.	REV
A	8090536RNL	A

SCALE: 1:2.5	WEIGHT: lbs.	SHEET 1 OF 2
--------------	--------------	--------------

5

4

3

2

1

E