

A

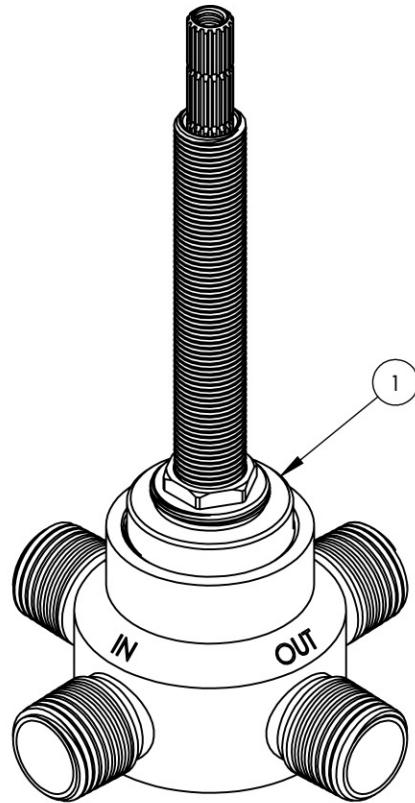
B

C

D

E

ITEM NO.	PART NUMBER	DESCRIPTION	QTY.
1	1-020	INWALL DIVERTER, 4PORT ONE INLET & THREE OUTLETS	1
	2-048	3WAY BODY W/ MALE 1/2"NPT	1
	10350	CARTRIDGE, DIV. MOTION C33, 1/3 TURN W/ SHUTOFF FLUHS	1
	10349	NUT CAP FOR 3WAY DIVERTER	1
	10054	STEM EXTENSION, 20PT INT. TO 16PT LONG EXT. BROACH	1
	92157	SCREW, SMALL HD M4X0.7 - 1/2"L	1
	10209	SHANK, NIPPLE THREAD ALL 9/16"-20UN WITH .433"ID	1



ZONE	REV.	DESCRIPTION	DATE	APPROVED

REVISIONS

1261 LOGAN AVENUE
COSTA MESA, CALIFORNIA 92626
PHONE: 714.361.4800
FAX: 714.617.3120



MANUFACTURING

PROPRIETARY AND CONFIDENTIAL

THE INFORMATION CONTAINED IN THIS DRAWING
IS THE SOLE PROPERTY OF RSS MANUFACTURING.
ANY REPRODUCTION IN PART OR AS A WHOLE
WITHOUT THE WRITTEN PERMISSION OF RSS
MANUFACTURING IS PROHIBITED.

-	-	INTERPRET GEOMETRIC DIMENSIONING & TOLERANCING IN ACCORDANCE WITH ASME Y14.5-2009 & ASME Y14.41-2003 STANDARDS, UNLESS OTHERWISE SPECIFIED. DIMENSIONS ARE IN INCHES. TOLERANCES ARE:		
-	-			
-	-			
NEXT ASSY	USED ON	FRACTIONS ±1/64"	DECIMALS X.X: ±.1 X.XX: ±.01 X.XXX: ±.005	ANGULAR ±.5°
APPLICATION			NAME	DATE
MATERIAL			MAF	4/10/2014
FINISH		DRAWN	MAF	4/10/2014
DO NOT SCALE DRAWING		CHECKED	GRE	

VALVE, 3 FUNCTION WALL DIVERTER

SIZE	ASM/PRT NO.	REV
A	80001820	-

SCALE: 1:1.5 WEIGHT: lbs. SHEET 1 OF 1

5

4

3

2

1