

5

4

3

2

1

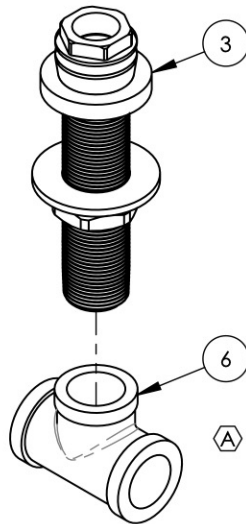
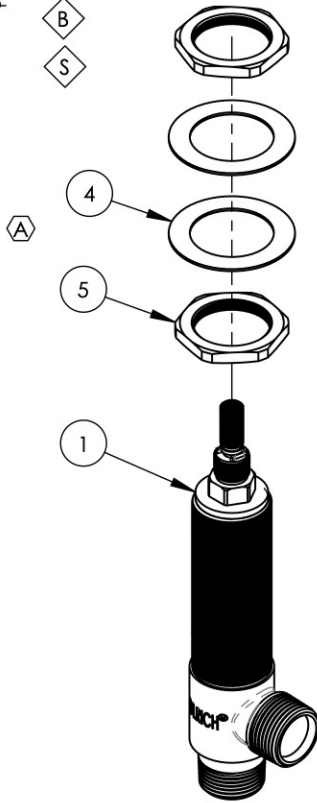
NOTE(S):
1. PART NUMBER, "/00" DENOTES PART SHALL HAVE FINISH.

2. APPLY NSF COMPLIANT GREASE TO ANY O-RING, SEALING JOINTS, AND/OR PIVOTAL POINTS.

3. APPLY NSF COMPLIANT LOCTITE TO THREADED AREA.

4. APPLY NSF COMPLIANT REMOVABLE (BLUE) LOCTITE TO THREADED AREA.

5. SILVER SOLDER JOINTS SHALL BE FULLY WETTED VIA CAPILLARY ACTION AND COMPLETELY NON-POROUS.



ITEM NO.	PART NUMBER	DESCRIPTION	QTY.
1	1-064	VALVE, ROMAN TUB 3/4" COLD	1
2	1-065	VALVE, ROMAN TUB 3/4" HOT	1
3	2-187	QUICK CONNECT KIT WITH NIPPLE	1
4	92138	BRASS WASHER, THIN	4
5	92313	HEX NUT, 1-1/4"-20 THREAD	4
6	P28025	3/4" BRASS TEE F/DECK VALVE	1

D4, B3	A	ADD WASHERS AND NUTS AS SEPERATE ITEMS, REMOVE TEE FROM SUBASSY	7/12/2021	AMM
ZONE	REV.	DESCRIPTION	DATE	APPROVED
REVISIONS				

1261 LOGAN AVENUE
COSTA MESA, CALIFORNIA 92626
PHONE: 714.361.4800
FAX: 714.617.3120



PROPRIETARY AND CONFIDENTIAL
THE INFORMATION CONTAINED IN THIS DRAWING IS THE SOLE PROPERTY OF RSS MANUFACTURING. ANY REPRODUCTION IN PART OR AS A WHOLE WITHOUT THE WRITTEN PERMISSION OF RSS MANUFACTURING IS PROHIBITED.

-	-	INTERPRET GEOMETRIC DIMENSIONING & TOLERANCING IN ACCORDANCE WITH ASME Y14.5-2009 & ASME Y14.41-2003 STANDARDS, UNLESS OTHERWISE SPECIFIED. DIMENSIONS ARE IN INCHES. TOLERANCES ARE:		
NEXT ASSY	USED ON	FRACTIONS ±1/64"	DECIMALS X.X: ±.1 X.XX: ±.01 X.XXX: ±.005	ANGULAR ±.5°
MATERIAL	APPLICATION	NAME	DATE	
FINISH	DRAWN	MAF	9/7/2016	
DO NOT SCALE DRAWING		CHECKED	GRE	

DECK TUB SET VALVE

SIZE	ASM/PRT NO.	REV
A	80001248	A
SCALE: 1:3	WEIGHT: lbs.	SHEET 1 OF 2

5

4

3

2

1