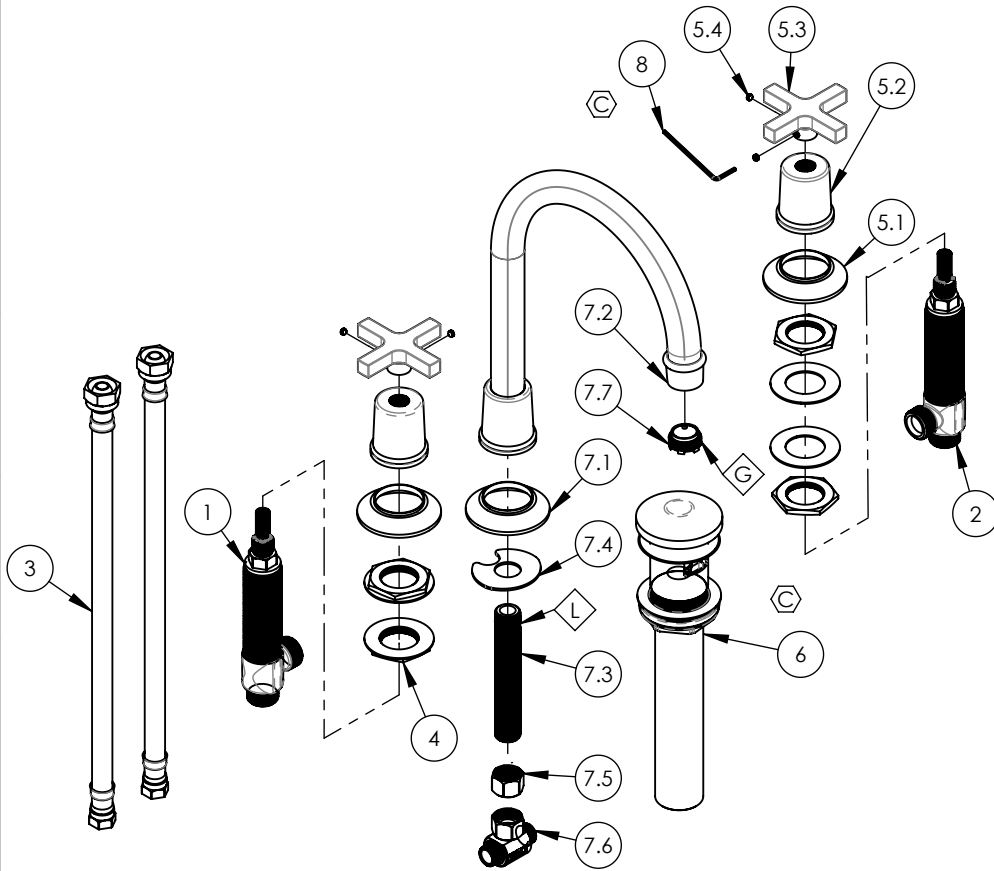


- NOTE(S):
 1. PART NUMBER, "/00" DENOTES PART SHALL HAVE FINISH.
 2. APPLY NSF COMPLIANT GREASE TO ANY O-RING, SEALING JOINTS, AND/OR PIVOTAL POINTS.
 3. APPLY NSF COMPLIANT LOCTITE TO THREADED AREA.
 4. APPLY NSF COMPLIANT REMOVABLE (BLUE) LOCTITE TO THREADED AREA.
 5. SILVER SOLDER JOINTS SHALL BE FULLY WETTED VIA CAPILLARY ACTION AND COMPLETELY NON-POROUS.



ITEM NO.	PART NUMBER	DESCRIPTION	QTY.
1	1-149	WIDESPREAD VALVE LAV 16PT, HOT, ONLY	1
2	1-150	WIDESPREAD VALVE LAV 16PT, COLD, ONLY	1
3	10982	HOSE, 3/8" COMP. X 1/2" NPSM - 12'L	2
4	2-203	MOUNTING NUT KIT, WIDESPREAD LAV	4
5	3-132/00	CROSS HANDLE, HEX MODERN, 501 SERIES	2
5.1	10921/00	ESCUTCHEON, TRANSITIONAL	1
5.2	10922/00	HUB, FOR HEX TRANSITIONAL	1
5.3	10633/00	HANDLE CROSS, CONTEMPORARY 16PT	1
5.4	92163	SET SCREW, CUP PT 8-32 X 1/8"L	2
6	3-545/00	BRASS PUSH TYPE DRAIN, W/ OVERFLOW & SMALL PLUG	1
7	3-553/00	ARC SPOUT LAV W/ HARDWARE, HEX MODERN	1
7.1	10921/00	ESCUTCHEON, TRANSITIONAL	1
7.2	2-279/00	ASSY, ARC SPOUT, WIDESPREAD, BRAZE, HEX MODERN	1
7.3	10745	THREAD ALL, 3/8"-18 NPSL - 3/8"NPT	1
7.4	92174	WASHER MOUNT WIDESPREAD (3/8")	1
7.5	10746	NUT, 3/8"-18 NPSL	1
7.6	1-112	TEE VALVE, 3/8" NPSM X 3/8" COMPRESSION	1
7.7	11429	AERATOR CACHE JR, 1.2GPM, M21.5X1.0, 42.2260.450	1
8	92021	HEX KEY 5/64, FOR 8-32 SET SCREW	1

D4, B4	C	UPDATE DRAIN & HEX KEY	5/28/2021	AMM
ZONE	REV.	DESCRIPTION	DATE	APPROVED
REVISIONS				

1261 LOGAN AVENUE
 COSTA MESA, CALIFORNIA 92626
 PHONE: 714.361.4800
 FAX: 714.617.3120

PHYLIRICH[®]
 Defining Luxury Since 1959

PROPRIETARY AND CONFIDENTIAL
 THE INFORMATION CONTAINED IN THIS DRAWING IS THE SOLE PROPERTY OF PHYLIRICH. ANY REPRODUCTION IN PART OR AS A WHOLE WITHOUT THE WRITTEN PERMISSION OF PHYLIRICH IS PROHIBITED.
DO NOT SCALE DRAWING

WIDESPREAD LAV, HIGH ARCH SPOUT W/
 CROSS, HEX MODERN

SIZE A	ASM/PRT NO. 501-03/00	REV C
SCALE: 1:5	WEIGHT: lbs.	SHEET 1 OF 2

5

4

3

2

1

E

E

D

D

C

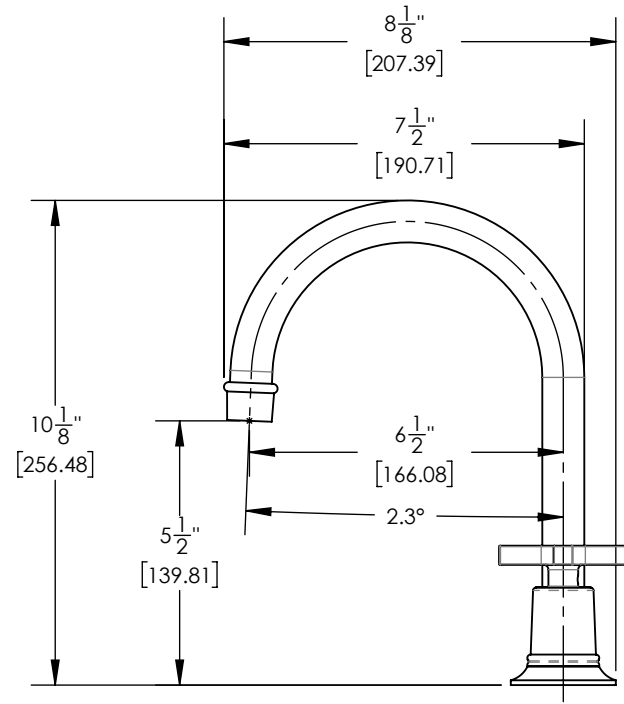
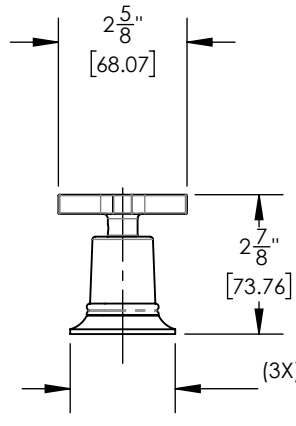
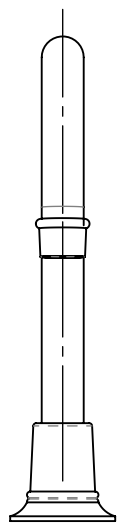
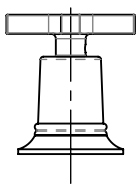
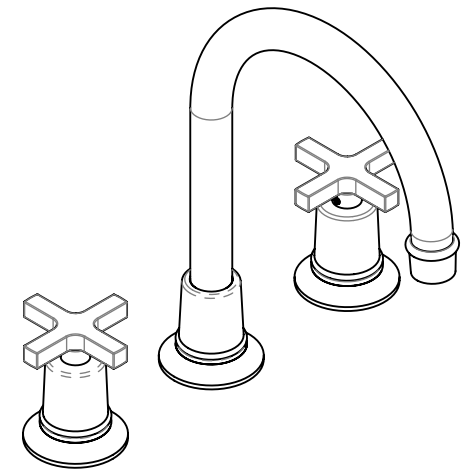
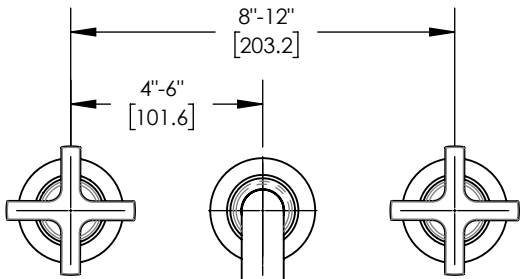
C

B

B

A

A



1261 LOGAN AVENUE
COSTA MESA, CALIFORNIA 92626
PHONE: 714.361.4800
FAX: 714.617.3120

PHYLIRICH[®]
Defining Luxury Since 1959

PROPRIETARY AND CONFIDENTIAL
THE INFORMATION CONTAINED IN THIS DRAWING IS THE SOLE PROPERTY OF PHYLIRICH. ANY REPRODUCTION IN PART OR AS A WHOLE WITHOUT THE WRITTEN PERMISSION OF PHYLIRICH IS PROHIBITED.
DO NOT SCALE DRAWING

**WIDESPREAD LAV, HIGH ARCH SPOUT W/
CROSS, HEX MODERN**

SIZE A	ASM/PRT NO. 501-03/00	REV C
SCALE: 1:4	WEIGHT: lbs.	SHEET 2 OF 2

5

4

3

2

1