

NOTE(S):

1. EXAMPLE OF SPLIT FINISH CODE:  
A. 2-142/026X030

2. SPLIT FINISH CODES:

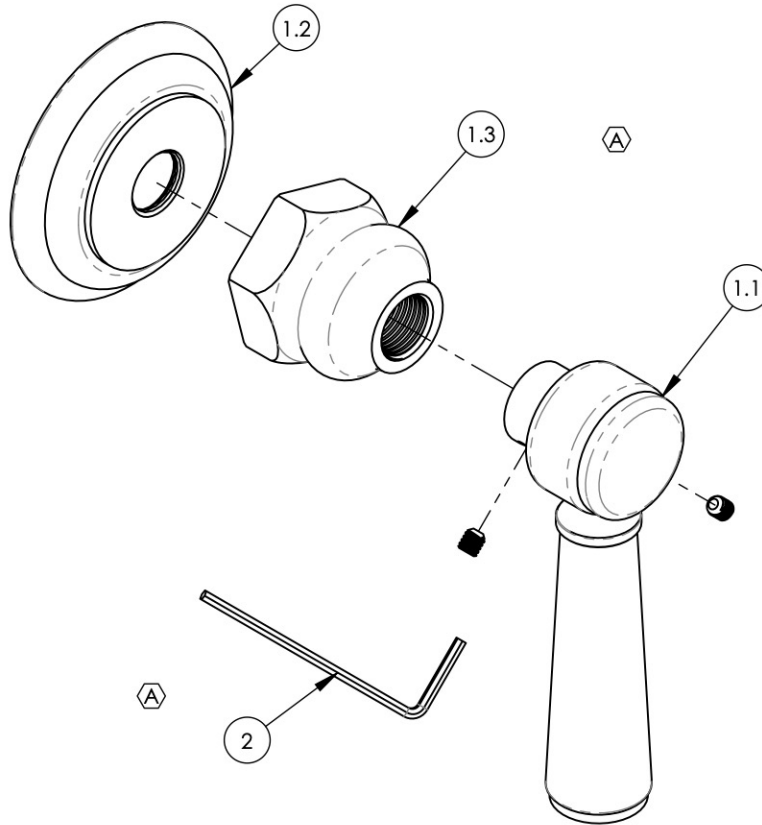
- A. BLACK MARBLE = 2-142/00X030
- B. WHITE MARBLE = 2-142/00X031
- C. SOAPSTONE = 2-142/00X032

3. AVAILABLE HANDLE STONE PART # OPTIONS:

- A. BLACK MARBLE = 11328 (030)
- B. WHITE MARBLE = 11329 (031)
- C. SOAPSTONE = 11330 (032)



ITEM NO.	PART NUMBER	DESCRIPTION	QTY.
1	3-373/00	MARBLE LEVER HANDLE ASSY., WALL/SHOWER	1
1.1	2-142/00	MARBLE LEVER HANDLE, 500 SERIES, HEX TRADITIONAL	1
1.2	10618/00	ESCUTCHEON, TRADITIONAL 500	1
1.3	10621/00	BASE HUB NUT	1
2	P39001	HEX KEY 5/64, FOR 8-32 SET SCREW	1



ALL	REV.	DESCRIPTION	DATE	APPROVED
A		UPDATE TEMPLATE, DWG NAME, SUBASSY/BASE, ADD NOTES/ HEX KEY	4/27/2020	AMM
REVISIONS				

1261 LOGAN AVENUE  
COSTA MESA, CALIFORNIA 92626  
PHONE: 714.361.4800  
FAX: 714.617.3120

**PHYLIRICH®**  
Defining Luxury Since 1959

**PROPRIETARY AND CONFIDENTIAL**

THE INFORMATION CONTAINED IN THIS DRAWING IS THE SOLE PROPERTY OF PHYLIRICH. ANY REPRODUCTION IN PART OR AS A WHOLE WITHOUT THE WRITTEN PERMISSION OF PHYLIRICH IS PROHIBITED.

NEXT ASSY		USED ON		INTERPRET GEOMETRIC DIMENSIONING & TOLERANCING IN ACCORDANCE WITH ASME Y14.5-2009 & ASME Y14.41-2003 STANDARDS, UNLESS OTHERWISE SPECIFIED. DIMENSIONS ARE IN INCHES. TOLERANCES ARE:  <b>FRACTIONS</b> ±1/16"  <b>DECIMALS</b> X.X: ±.1 X.XX: ±.01 X.XXX: ±.005  <b>ANGULAR</b> ±2°
APPLICATION				
MATERIAL	NAME	DATE		
FINISH	DRAWN	LLO	11/4/2015	
<b>DO NOT SCALE DRAWING</b>		CHECKED	GRE	

**SHOWER ITEM, VOLUME CONTROL/ DIVERTER, MARBLE, HEX TRADITIONAL**

SIZE	ASM/PRT NO.	REV
<b>A</b>	500-37/00	A
SCALE: 1:1.5	WEIGHT: lbs.	SHEET 1 OF 2