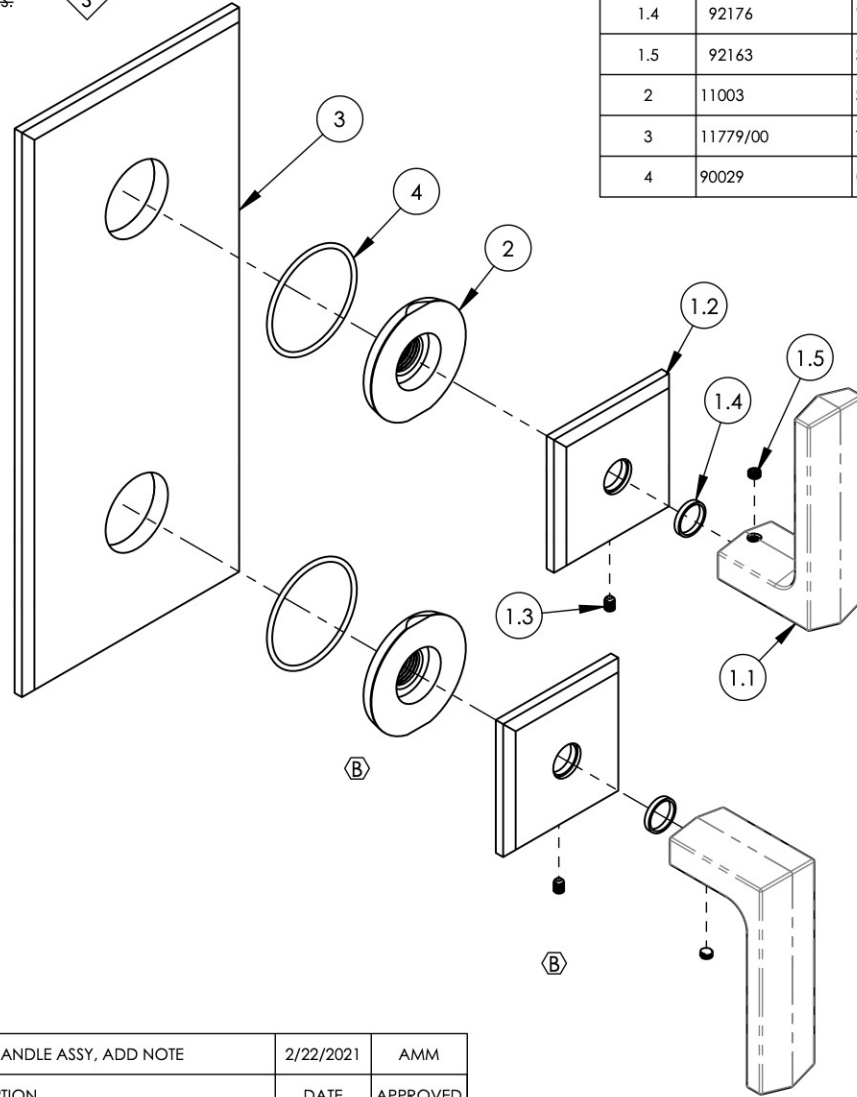


- NOTE(S):
- PART NUMBER, "/00" DENOTES PART SHALL HAVE FINISH.
 - APPLY NSF COMPLIANT GREASE TO ANY O-RING, SEALING JOINTS, AND/OR PIVOTAL POINTS.
 - APPLY NSF COMPLIANT LOCTITE TO THREADED AREA.
 - APPLY NSF COMPLIANT REMOVABLE (BLUE) LOCTITE TO THREADED AREA.
 - SILVER SOLDER JOINTS SHALL BE FULLY WETTED VIA CAPILLARY ACTION AND COMPLETELY NON-POROUS.
 - FOR DEEPEER ESCUTCHEON:
 - 3-598/00
 - 92401



ITEM NO.	PART NUMBER	DESCRIPTION	QTY.
1	3-596/00	ASSY, LEVER HANDLE, DIAMA	2
1.1	11769/00	LEVER HANDLE, DIAMA	1
1.2	11764/00	ESCUTCHEON, HANDLE, DIAMA	1
1.3	92005	SET SCREW, CUP PT 6-32 UNC THREAD 3/16"L	1
1.4	92176	WEAR WASHER	1
1.5	92163	SET SCREW, CONE PT 8-32 X 1/8"L	1
2	11003	SLEEVE MOUNT, WALL MT WIDESPREAD	2
3	11779/00	TRIM PLATE, TWO HANDLE, FLAT, DIAMA	1
4	90029	O-RING, 1-5/8"ID X 1-3/4"OD X 1/16"THK, AS-568-029	2



ZONE	REV.	DESCRIPTION	DATE	APPROVED
B3, D5	B	UPDATE SLEEVE MOUNT & HANDLE ASSY, ADD NOTE	2/22/2021	AMM
REVISIONS				

1261 LOGAN AVENUE
COSTA MESA, CALIFORNIA 92626
PHONE: 714.361.4800
FAX: 714.617.3120

PHYL RICH[®]
Defining Luxury Since 1959

PROPRIETARY AND CONFIDENTIAL
THE INFORMATION CONTAINED IN THIS DRAWING IS THE SOLE PROPERTY OF PHYL RICH. ANY REPRODUCTION IN PART OR AS A WHOLE WITHOUT THE WRITTEN PERMISSION OF PHYL RICH IS PROHIBITED.
DO NOT SCALE DRAWING

THERM, SHOWER TRIM, TWO HANDLE-LEVER, DIAMA

SIZE A	ASM/PRT NO. 4-568/00	REV B
SCALE: 1:2.5	WEIGHT: lbs.	SHEET 1 OF 2