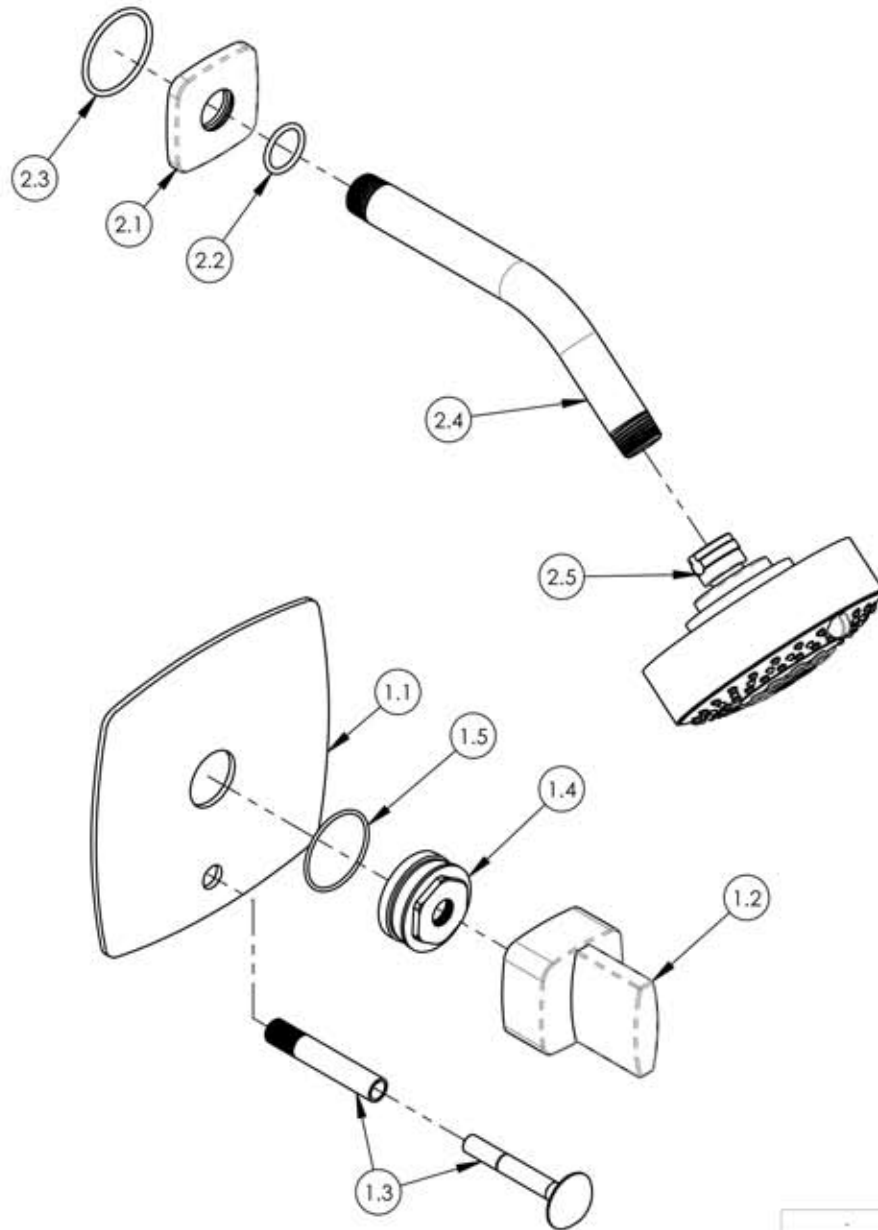


A

B

C

D



ITEM NO.	PART NO.	DESCRIPTION	QTY.
1	4-516/00	ASSY, BLADE HANDLE W/ DIVERTER, TRIM, RADI	1
1.1	11633/00	TRIM PLATE, SINGLE HANDLE W/ DIVERTER, RADI FACE	1
1.2	3-524/00	ASSY, TALL BLADE HANDLE SHOWER	1
1.3	3-125/00	EXTENSION ASSY FOR PB TUB & SHOWER SET	1
1.4	11004	SLEEVE MOUNT, WALL SHOWER	1
1.5	90029	O-RING, 1-5/8"ID X 1-3/4"OD X 1/16"THK, AS-568-029	1
2	4-513/00	ASSY SHOWER HEAD, MULTI FUNCTION, RADI	1
2.1	11630/00	ESCUTCHEON, SHOWER FLANGE, RADI	1
2.2	90117	O-RING, 7/8"ID X 33/32"THK., AS-568-117	1
2.3	90129	O-RING, 1-9/16"ID X 3/32"THK, AS-568-129	1
2.4	P16008/00	SHOWER ARM (8 INCH)	1
2.5	3-454/00	SHOWER HEAD MULTI. FUNC. CONTEMP.	1

E

ZONE	REV.	DESCRIPTION	DATE	APPROVED
REVISIONS				

1261 LOGAN AVENUE
COSTA MESA, CALIFORNIA 92626
PHONE: 714.361.4800
FAX: 714.617.3120

PHYLORICH®

Defining Luxury Since 1959

PROPRIETARY AND CONFIDENTIAL

THE INFORMATION CONTAINED IN THIS DRAWING IS THE SOLE PROPERTY OF RSS MANUFACTURING. ANY REPRODUCTION IN PART OR AS A WHOLE WITHOUT THE WRITTEN PERMISSION OF RSS MANUFACTURING IS PROHIBITED.

-	-	INTERPRET GEOMETRIC DIMENSIONING & TOLERANCING IN ACCORDANCE WITH ASME Y14.5-2009 & ASME Y14.41-2003 STANDARDS, UNLESS OTHERWISE SPECIFIED. DIMENSIONS ARE IN INCHES. TOLERANCES ARE:		
NEXT ASSY	USED ON	FRACTIONS ±1/64"	DECIMALS X.X: ±.1 X.XX: ±.01 X.XXX: ±.005	ANGULAR ±.5°
APPLICATION		MATERIAL	NAME	DATE
FINISH		DRAWN	RAH	1/5/2018
DO NOT SCALE DRAWING		CHECKED		

ASSY, BLADE HANDLE W/ DIVERTER,
SHOWER SET (LESS SPOUT) , RADI

SIZE	ASM/PRT NO.	REV
A	4-557/00	-

SCALE: 1:3.5 WEIGHT: lbs. SHEET 1 OF 2

5

4

3

2

1