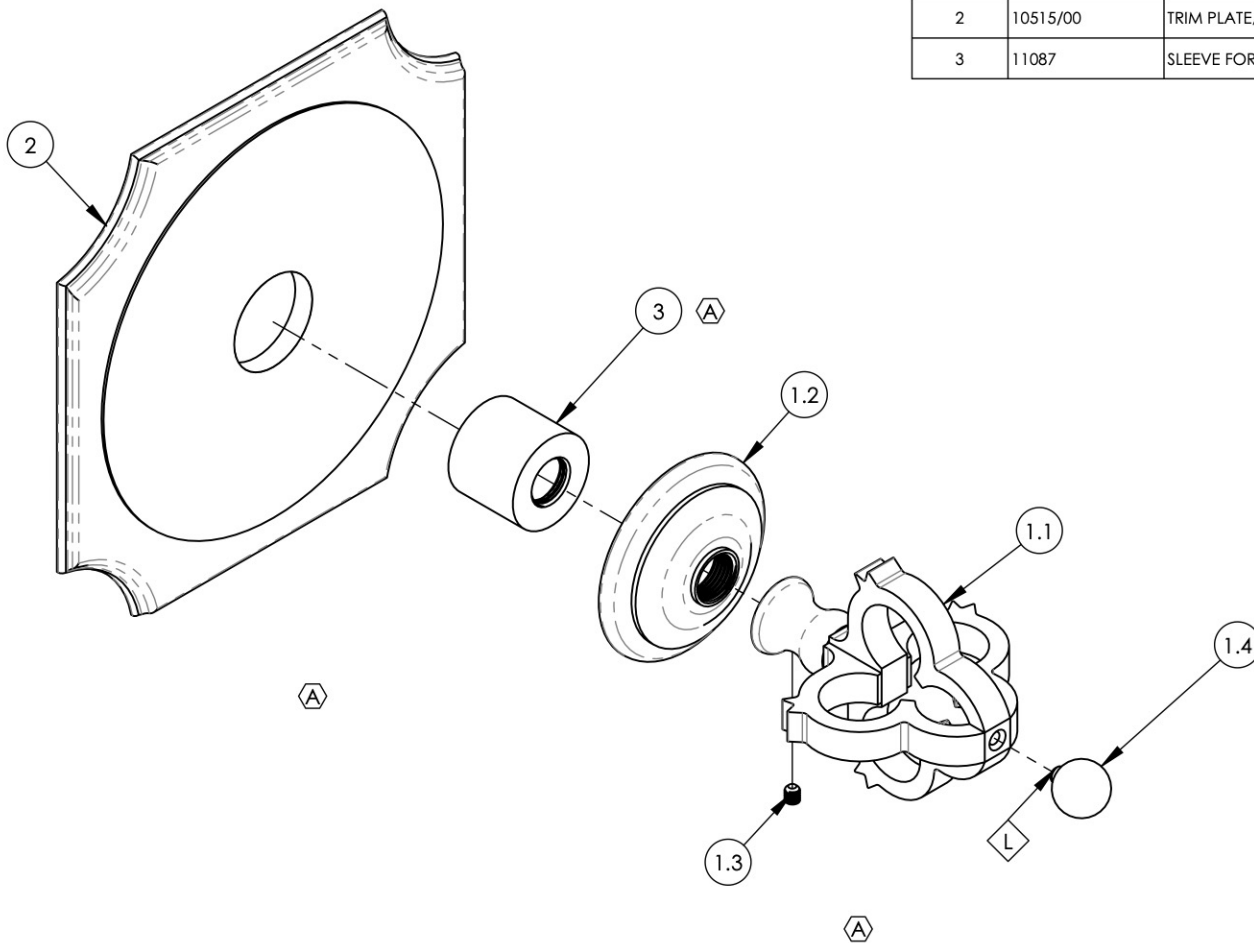


ITEM NO.	PART NUMBER	DESCRIPTION	QTY.
1	3-340/00	ASSY, HANDLE & ESCUTCHEON COURONNE SERIES	1
1.1	2-038/00	ASSY, HANDLE & ESCUTCHEON COURONNE SERIES	1
1.2	11175/00	ESCUTCHEON, COURONNE SERIES	1
1.3	92008	SET SCREW, CUP POINT 8-32, 3/16" L.	1
1.4	11160/00	FINIAL BALL, TOP CROWN	1
2	10515/00	TRIM PLATE, FRENCH TRAD. PB/THERMO	1
3	11087	SLEEVE FOR PB-THERM PLATE	1

NOTE(S):

1. APPLY NSF COMPLIANT LOCTITE TO THREADED AREA. L



ALL	A	UPDATE TEMPLATE/ SLEEVE MOUNT, REMOVE TAPE & HEX KEY, ADD CALL OUT	7/30/2020	AMM
ZONE	REV.	DESCRIPTION	DATE	APPROVED
REVISIONS				

1261 LOGAN AVENUE
COSTA MESA, CALIFORNIA 92626
PHONE: 714.361.4800
FAX: 714.617.3120

PHYLIRICH[®]
Defining Luxury Since 1959

PROPRIETARY AND CONFIDENTIAL

THE INFORMATION CONTAINED IN THIS DRAWING IS THE SOLE PROPERTY OF PHYLIRICH. ANY REPRODUCTION IN PART OR AS A WHOLE WITHOUT THE WRITTEN PERMISSION OF PHYLIRICH IS PROHIBITED.

-	-	INTERPRET GEOMETRIC DIMENSIONING & TOLERANCING IN ACCORDANCE WITH ASME Y14.5-2009 & ASME Y14.41-2003 STANDARDS, UNLESS OTHERWISE SPECIFIED. DIMENSIONS ARE IN INCHES. TOLERANCES ARE:		
NEXT ASSY	USED ON	FRACTIONS ±1/16"	DECIMALS X.X: ±.1 X.XX: ±.01 X.XXX: ±.005	ANGULAR ±2°
MATERIAL	APPLICATION	NAME	DATE	
FINISH	DRAWN	LLO	10/20/2015	
DO NOT SCALE DRAWING	CHECKED	GRE		

1/2" MINI THERMOSTATIC SHOWER TRIM, COURONNE

SIZE	ASM/PRT NO.	REV
A	4-472/00	A

SCALE: 1:2 WEIGHT: lbs. SHEET 1 OF 2