

5

4

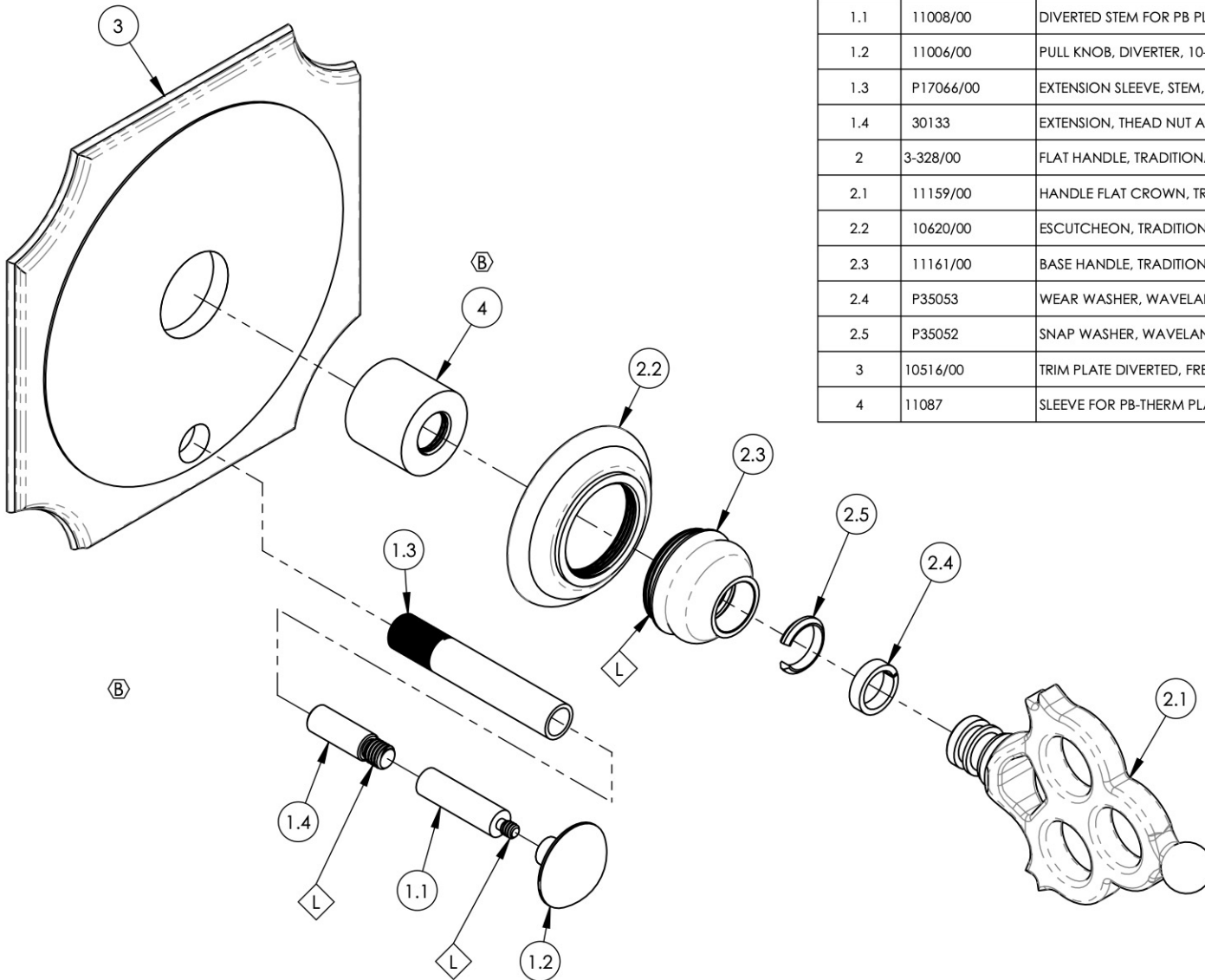
3

2

1

NOTE(S):

1. APPLY NSF COMPLIANT LOCTITE TO THREADED AREA.



ITEM NO.	PART NUMBER	DESCRIPTION	QTY.
1	3-125/00	EXTENSION ASSY FOR PB TUB & SHOWER SET	1
1.1	11008/00	DIVERTED STEM FOR PB PLATE	1
1.2	11006/00	PULL KNOB, DIVERTER, 10-24	1
1.3	P17066/00	EXTENSION SLEEVE, STEM, PB TUB & SHOWER SET	1
1.4	30133	EXTENSION, THEAD NUT ADAPTOR	1
2	3-328/00	FLAT HANDLE, TRADITIONAL	1
2.1	11159/00	HANDLE FLAT CROWN, TRADITIONAL	1
2.2	10620/00	ESCUTCHEON, TRADITIONAL RT 1-1/4"-20	1
2.3	11161/00	BASE HANDLE, TRADITIONAL	1
2.4	P35053	WEAR WASHER, WAVELAND HANDLE	1
2.5	P35052	SNAP WASHER, WAVELAND HANDLE	1
3	10516/00	TRIM PLATE DIVERTED, FRENCH TRAD. PB/THERMO	1
4	11087	SLEEVE FOR PB-THERM PLATE	1

ALL	B	UPDATE TEMPLATE, SLEEVE MOUNT, REMOVE TAPE, ADD CALL OUTS	8/3/2020	AMM
ZONE	REV.	DESCRIPTION	DATE	APPROVED
REVISIONS				

1261 LOGAN AVENUE  
 COSTA MESA, CALIFORNIA 92626  
 PHONE: 714.361.4800  
 FAX: 714.617.3120

**PHYLIRICH**<sup>®</sup>  
 Defining Luxury Since 1959

**PROPRIETARY AND CONFIDENTIAL**  
 THE INFORMATION CONTAINED IN THIS DRAWING IS THE SOLE PROPERTY OF PHYLIRICH. ANY REPRODUCTION IN PART OR AS A WHOLE WITHOUT THE WRITTEN PERMISSION OF PHYLIRICH IS PROHIBITED.

-	-	INTERPRET GEOMETRIC DIMENSIONING & TOLERANCING IN ACCORDANCE WITH ASME Y14.5-2009 & ASME Y14.41-2003 STANDARDS, UNLESS OTHERWISE SPECIFIED. DIMENSIONS ARE IN INCHES. TOLERANCES ARE:		
NEXT ASSY	USED ON	FRACTIONS ±1/16"	DECIMALS X.X: ±.1 X.XX: ±.01 X.XXX: ±.005	ANGULAR ±2°
APPLICATION		MATERIAL	NAME	DATE
FINISH		DRAWN	LLO	11/5/2015
<b>DO NOT SCALE DRAWING</b>		CHECKED	GRE	

**PRESSURE BALANCE SHOWER PLATE W/DIVERTER & HANDLE TRIM SET, MAISON**

SIZE	ASM/PRT NO.	REV
<b>A</b>	4-470/00	<b>B</b>
SCALE: 1:2	WEIGHT: lbs.	SHEET 1 OF 2

5

4

3

2

1