

NOTE(S):
 1. PART NUMBER, "/00" DENOTES PART SHALL HAVE FINISH.

2. APPLY NSF COMPLIANT GREASE TO ANY O-RING, SEALING JOINTS, AND/OR PIVOTAL POINTS.

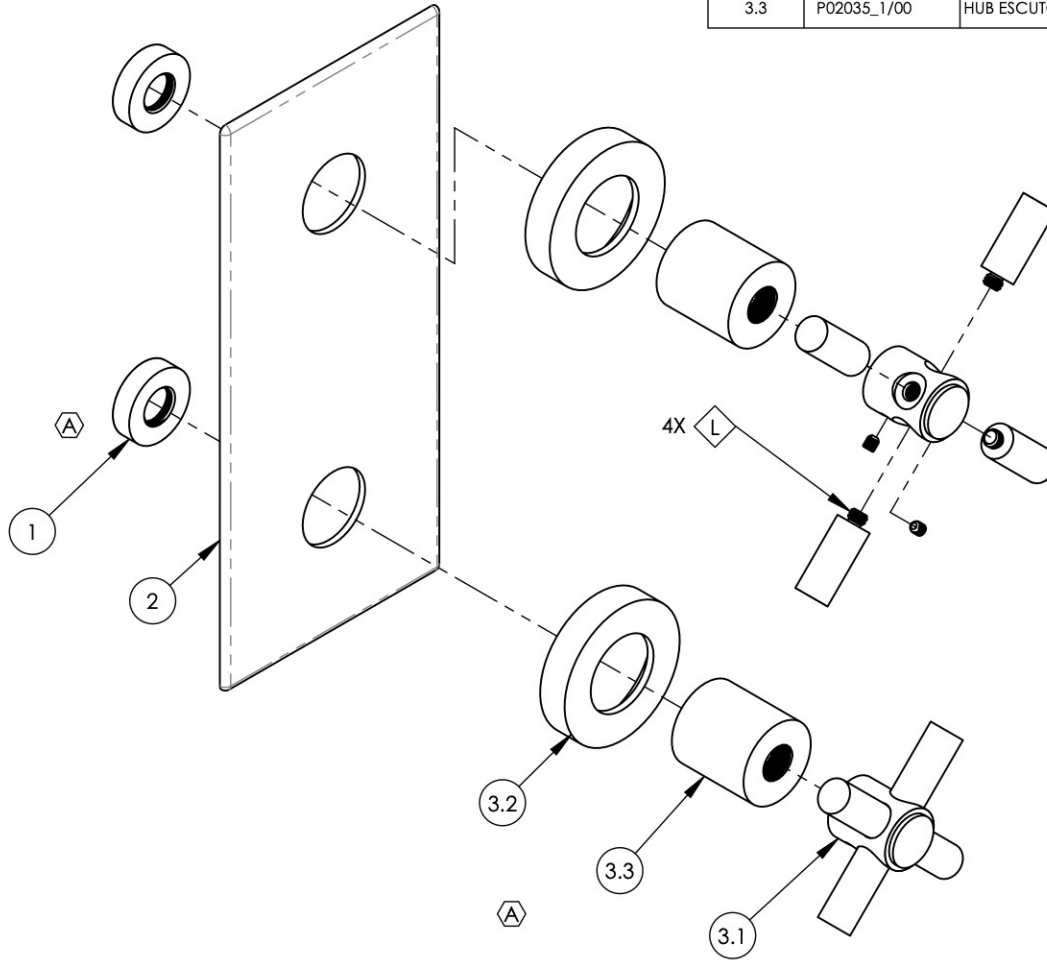
3. APPLY NSF COMPLIANT LOCTITE TO THREADED AREA.

4. APPLY NSF COMPLIANT REMOVABLE (BLUE) LOCTITE TO THREADED AREA.

5. SILVER SOLDER JOINTS SHALL BE FULLY WETTED VIA CAPILLARY ACTION AND COMPLETELY NON-POROUS.



ITEM NO.	PART NUMBER	DESCRIPTION	QTY.
1	11087	SLEEVE FOR PB-THERM PLATE	2
2	11204/00	PLATE, TWO HANDLE FLAT RADII EDGE	1
3	3-442/00	ASSY, TUBULAR CROSS HANDLE, BASIC	2
3.1	3-439/00	ASSY. CROSS HANDLE TUBULAR, BASIC SERIES	1
3.2	P02035_2/00	ESCUTCHEON, CONTEMPORARY	1
3.3	P02035_1/00	HUB ESCUTCHEON, CONTEMPORARY TOP	1



ALL	A	UPDATE HANDLES, SLEEVE MOUNTS, & REMOVE TAPE	5/13/2020	AMM
ZONE	REV.	DESCRIPTION	DATE	APPROVED
REVISIONS				

1261 LOGAN AVENUE
 COSTA MESA, CALIFORNIA 92626
 PHONE: 714.361.4800
 FAX: 714.617.3120

PHYLIRICH[®]
 Defining Luxury Since 1959

PROPRIETARY AND CONFIDENTIAL
 THE INFORMATION CONTAINED IN THIS DRAWING IS THE SOLE PROPERTY OF PHYLIRICH. ANY REPRODUCTION IN PART OR AS A WHOLE WITHOUT THE WRITTEN PERMISSION OF PHYLIRICH IS PROHIBITED.
DO NOT SCALE DRAWING

SHOWER TRIM PLATE, TWO HANDLE, CROSS TUBULAR, BASIC

SIZE A	ASM/PRT NO. 4-350/00	REV A
SCALE: 1:2.5	WEIGHT: lbs.	SHEET 1 OF 2