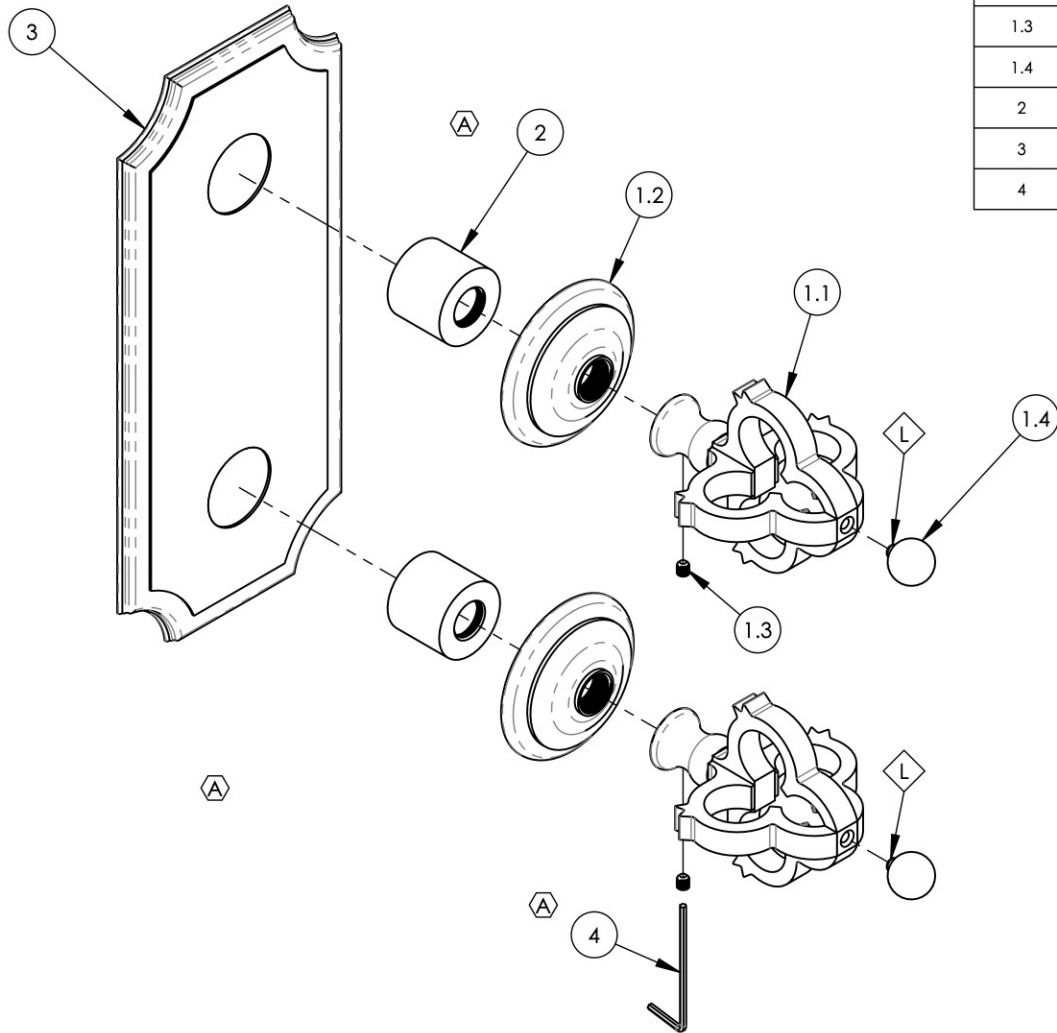


ITEM NO.	PART NUMBER	DESCRIPTION	QTY.
1	3-340/00	ASSY, HANDLE & ESCUTCHEON COURONNE SERIES	2
1.1	2-038/00	ASSY, HANDLE & ESCUTCHEON COURONNE SERIES	1
1.2	11175/00	ESCUTCHEON, COURONNE SERIES	1
1.3	92008	SET SCREW, CUP POINT 8-32, 3/16" L.	1
1.4	11160/00	FINIAL BALL, TOP CROWN	1
2	11087	SLEEVE FOR PB-THERM PLATE	2
3	11272/00	TRIM PLATE, THERM. CONTROL W/ DIVERTER	1
4	P39001	HEX KEY 5/64, FOR 8-32 SET SCREW	1

NOTE(S):
1. APPLY NSF COMPLIANT LOCTITE TO THREADED AREA.



ALL	REV.	DESCRIPTION	DATE	APPROVED
A		UPDATE DWG NAME, TEMPLATE, SLEEVE MOUNT, HEX KEY, ADD CALL OUTS, REMOVE TAPE	7/29/2020	AMM

REVISIONS

PROPRIETARY AND CONFIDENTIAL

THE INFORMATION CONTAINED IN THIS DRAWING IS THE SOLE PROPERTY OF PHYLRICH. ANY REPRODUCTION IN PART OR AS A WHOLE WITHOUT THE WRITTEN PERMISSION OF PHYLRICH IS PROHIBITED.

1261 LOGAN AVENUE
COSTA MESA, CALIFORNIA 92626
PHONE: 714.361.4800
FAX: 714.617.3120

PHYLRICH[®]
Defining Luxury Since 1959

NEXT ASSY		USED ON		INTERPRET GEOMETRIC DIMENSIONING & TOLERANCING IN ACCORDANCE WITH ASME Y14.5-2009 & ASME Y14.41-2003 STANDARDS, UNLESS OTHERWISE SPECIFIED. DIMENSIONS ARE IN INCHES. TOLERANCES ARE:		
MATERIAL	APPLICATION	FRACTIONS ±1/16"	DECIMALS X.X: ±.1 X.XX: ±.01 X.XXX: ±.005	ANGULAR ±2°	NAME	DATE
FINISH	DRAWN	LLO	10/20/2015			
	CHECKED	GRE				

DO NOT SCALE DRAWING

1/2" MINI THERMOSTATIC VALVE W/
VOLUME CONTROL OR DIV., CROSS
HANDLES, COURONNE

SIZE	ASM/PRT NO.	REV
A	4-305/00	A

SCALE: 1:2.5 WEIGHT: lbs. SHEET 1 OF 2