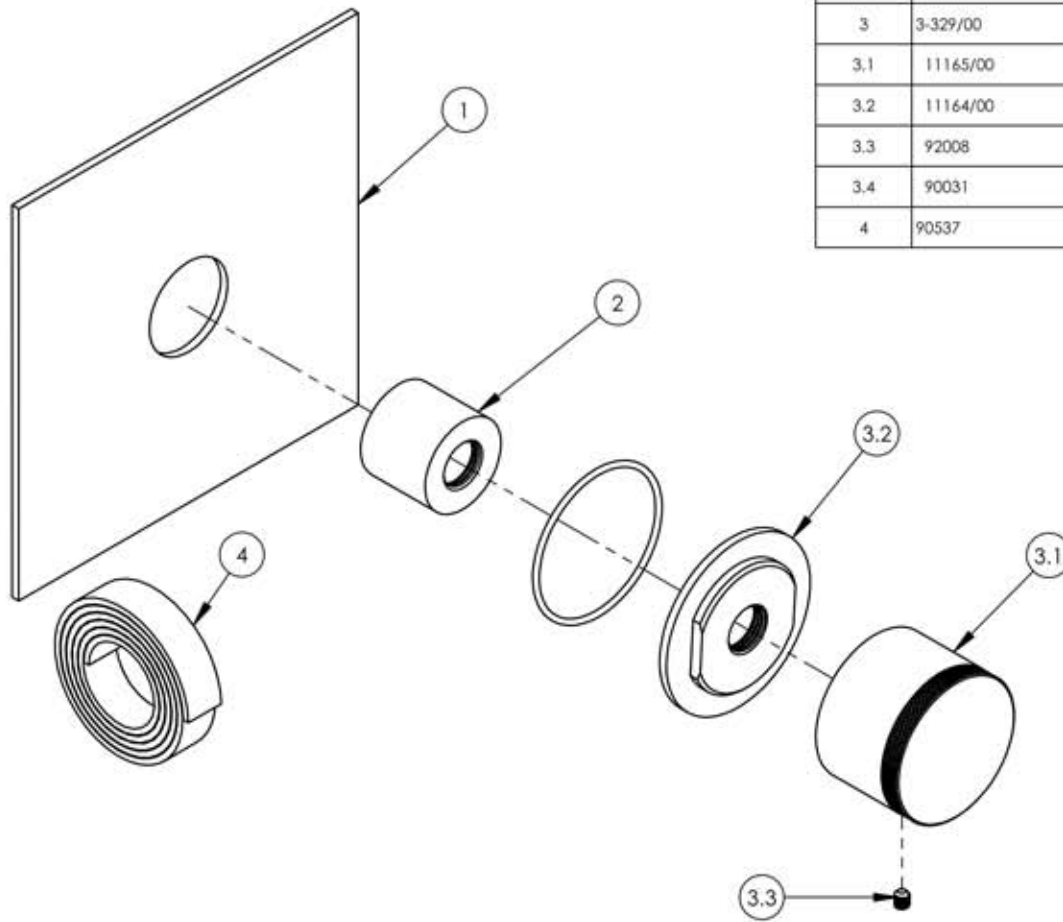


ITEM NO.	PART NUMBER	DESCRIPTION	QTY.
1	10441/00	TRIM PLATE 5" SQUARE, BASIC II	1
2	10986	CENTERING PLATE SLEEVE	1
3	3-329/00	SUB ASSY. KNURLED HANDLE, BASIC II	1
3.1	11165/00	BASE HANDLE, CONTEMP, BASIC II	1
3.2	11164/00	ESCUTCHEON BASE, CONTEMP, BASIC II	1
3.3	92008	SET SCREW, CUP POINT 8-32	1
3.4	90031	O-RING, 1-3/4"ID X 1-7/8"OD X 1/16"THK, AS-568-031	1
4	90537	1/16" TAPE FOR WALL PLATE	1



ZONE	REV.	DESCRIPTION	DATE	APPROVED
REVISIONS				

1261 LOGAN AVENUE
COSTA MESA, CALIFORNIA 92626
PHONE: 714.361.4800
FAX: 714.617.3120

PHYLORICH®

Defining Luxury Since 1959

PROPRIETARY AND CONFIDENTIAL
THE INFORMATION CONTAINED IN THIS DRAWING IS THE SOLE PROPERTY OF RISS MANUFACTURING. ANY REPRODUCTION IN PART OR AS A WHOLE WITHOUT THE WRITTEN PERMISSION OF RISS MANUFACTURING IS PROHIBITED.

-		INTERPRET GEOMETRIC DIMENSIONING & TOLERANCING IN ACCORDANCE WITH ASME Y14.5-2009 & ASME Y14.41-2003 STANDARDS, UNLESS OTHERWISE SPECIFIED. DIMENSIONS ARE IN INCHES. TOLERANCES ARE:		
NEXT ASSY	USED ON	FRACTIONS ±1/64"	DECIMALS X.X: ±.1 X.XX: ±.01 X.XXX: ±.005	ANGULAR ±.5°
APPLICATION		MATERIAL	NAME	DATE
FINISH		DRAWN	LLO	3/11/2015
DO NOT SCALE DRAWING		CHECKED	GRE	

1/2" MINI THERM. 5" SQUARE SHWR TRIM, KNURLED, BASIC II

SIZE	ASM/PRT NO.	REV
A	4-176/00	-
SCALE: 1:2	WEIGHT: lbs.	SHEET 1 OF 2

5

4

3

2

1