

5

4

3

2

1

E

E

D

D

C

C

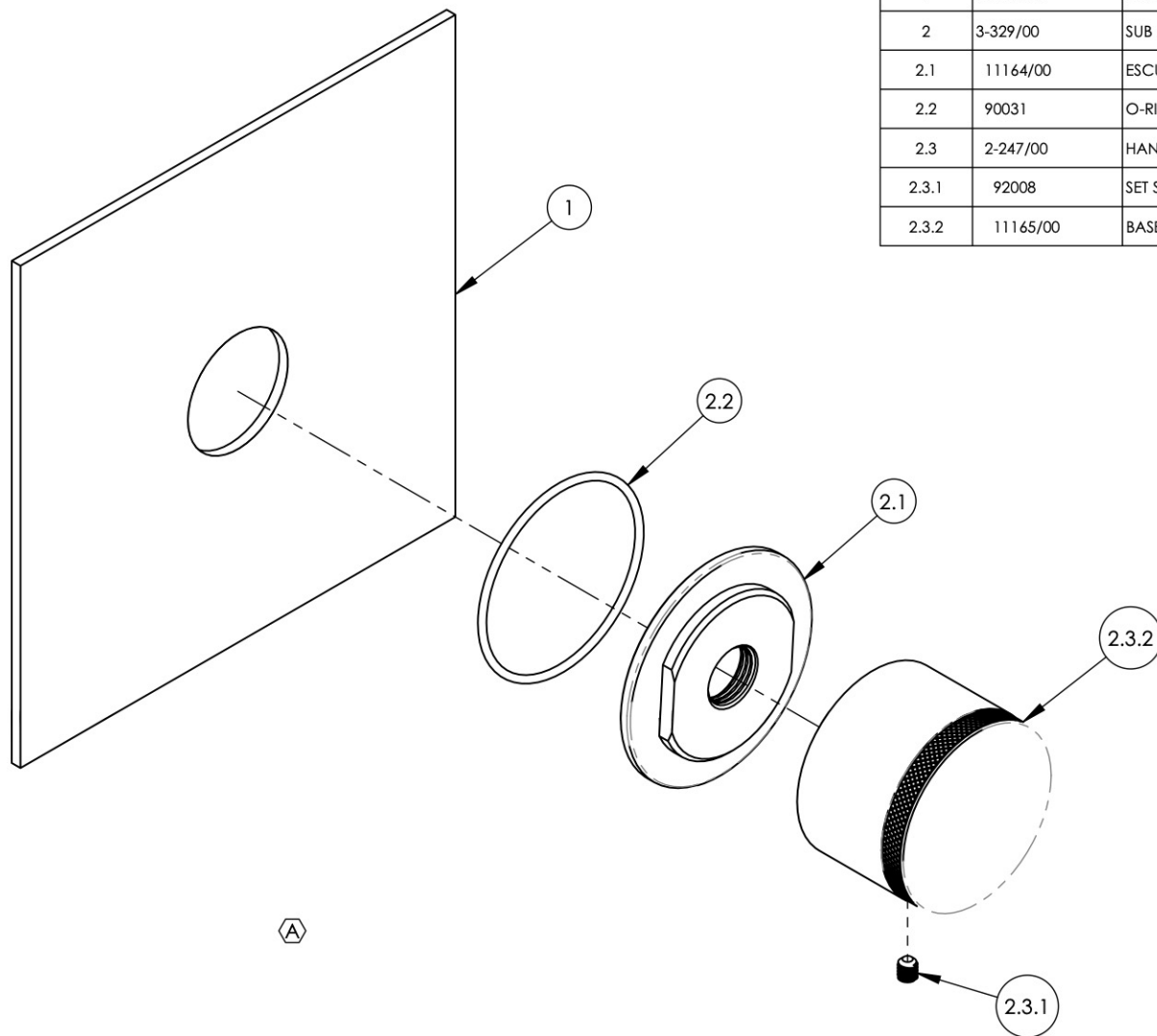
B

B

A

A

ITEM NO.	PART NUMBER	DESCRIPTION	QTY.
1	10441/00	TRIM PLATE 5" SQUARE, BASIC II	1
2	3-329/00	SUB ASSY. KNURLED HANDLE, BASIC II	1
2.1	11164/00	ESCUTCHEON BASE, CONTEMP. BASIC II	1
2.2	90031	O-RING, 1-3/4"ID X 1/16"THK, AS-568-031	1
2.3	2-247/00	HANDLE KNURLED, BASIC II	1
2.3.1	92008	SET SCREW, CUP POINT 8-32, 3/16" L.	1
2.3.2	11165/00	BASE HANDLE, CONTEMP. BASIC II	1



ALL	REV.	DESCRIPTION	DATE	APPROVED
A		UPDATE TEMPLATE, REMOVE TAPE & SLEEVE MOUNT	4/30/2020	AMM

1261 LOGAN AVENUE
COSTA MESA, CALIFORNIA 92626
PHONE: 714.361.4800
FAX: 714.617.3120

PHYL RICH[®]
Defining Luxury Since 1959

PROPRIETARY AND CONFIDENTIAL
THE INFORMATION CONTAINED IN THIS DRAWING IS THE SOLE PROPERTY OF PHYL RICH. ANY REPRODUCTION IN PART OR AS A WHOLE WITHOUT THE WRITTEN PERMISSION OF PHYL RICH IS PROHIBITED.

-		INTERPRET GEOMETRIC DIMENSIONING & TOLERANCING IN ACCORDANCE WITH ASME Y14.5-2009 & ASME Y14.41-2003 STANDARDS, UNLESS OTHERWISE SPECIFIED. DIMENSIONS ARE IN INCHES. TOLERANCES ARE:		
-		FRACTIONS	DECIMALS	ANGULAR
-		±1/16"	X.X: ±.1 X.XX: ±.01 X.XXX: ±.005	±2°
NEXT ASSY	USED ON	APPLICATION		
MATERIAL	NAME DATE			
FINISH	DRAWN	LLO	3/11/2015	
DO NOT SCALE DRAWING		CHECKED	GRE	

1/2" MINI THERM. 5" SQUARE SHWR TRIM, KNURLED, BASIC II

SIZE	ASM/PRT NO.	REV
A	4-176/00	A
SCALE: 1:1.5	WEIGHT: lbs.	SHEET 1 OF 2

5

4

3

2

1