

5

4

3

2

1

E

E

D

D

C

C

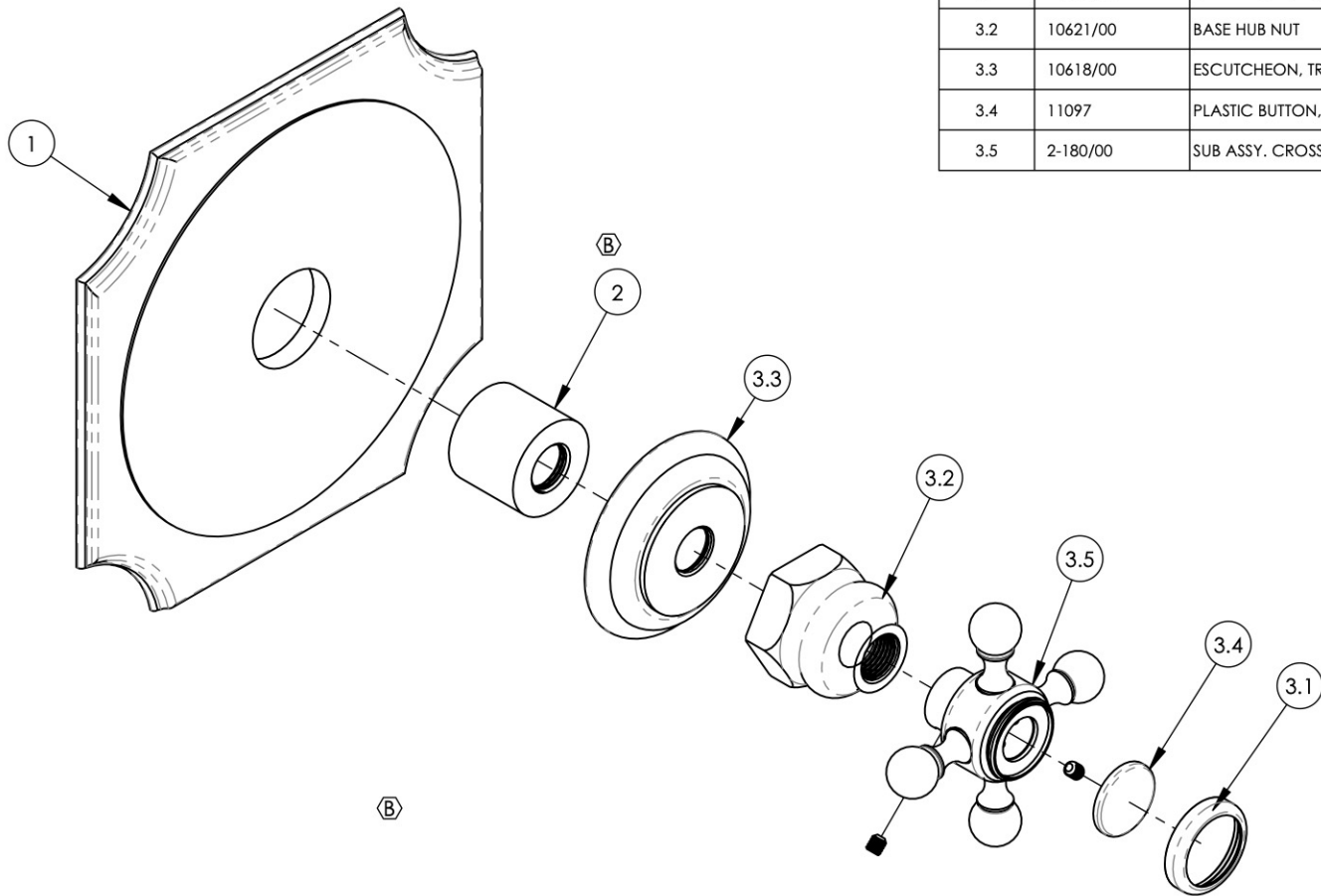
B

B

A

A

ITEM NO.	PART NUMBER	DESCRIPTION	QTY.
1	10515/00	TRIM PLATE, FRENCH TRAD. PB/THERMO	1
2	11087	SLEEVE FOR PB-THERM PLATE	1
3	3-142B/00	CROSS HANDLE, WALL/SHOWER, 500 SERIES	1
3.1	10538/00	CAP RING FOR 500 SERIES BUTTON	1
3.2	10621/00	BASE HUB NUT	1
3.3	10618/00	ESCUTCHEON, TRADITIONAL 500	1
3.4	11097	PLASTIC BUTTON, BLANK	1
3.5	2-180/00	SUB ASSY. CROSS HANDLE HUB	1



ALL	B	UPDATE TEMPLATE/ CENTERING SLEEVE, REMOVE HEX KEY, TAPE	4/21/2020	AMM
ZONE	REV.	DESCRIPTION	DATE	APPROVED
REVISIONS				

1261 LOGAN AVENUE
COSTA MESA, CALIFORNIA 92626
PHONE: 714.361.4800
FAX: 714.617.3120

PHYLIRICH[®]
Defining Luxury Since 1959

PROPRIETARY AND CONFIDENTIAL
THE INFORMATION CONTAINED IN THIS DRAWING IS THE SOLE PROPERTY OF PHYLIRICH. ANY REPRODUCTION IN PART OR AS A WHOLE WITHOUT THE WRITTEN PERMISSION OF PHYLIRICH IS PROHIBITED.

-	-	INTERPRET GEOMETRIC DIMENSIONING & TOLERANCING IN ACCORDANCE WITH ASME Y14.5-2009 & ASME Y14.41-2003 STANDARDS, UNLESS OTHERWISE SPECIFIED. DIMENSIONS ARE IN INCHES. TOLERANCES ARE:		
NEXT ASSY	USED ON	FRACTIONS ±1/16"	DECIMALS X.X: ±.1 X.XX: ±.01 X.XXX: ±.005	ANGULAR ±2°
MATERIAL	APPLICATION	NAME	DATE	
FINISH	DRAWN	LLO	10/28/2015	
DO NOT SCALE DRAWING		CHECKED	GRE	

1/2" MINI THERMOSTATIC SHOWER TRIM

SIZE	ASM/PRT NO.	REV
A	4-157/00	B

SCALE: 1:2 WEIGHT: lbs. SHEET 1 OF 2

5

4

3

2

1