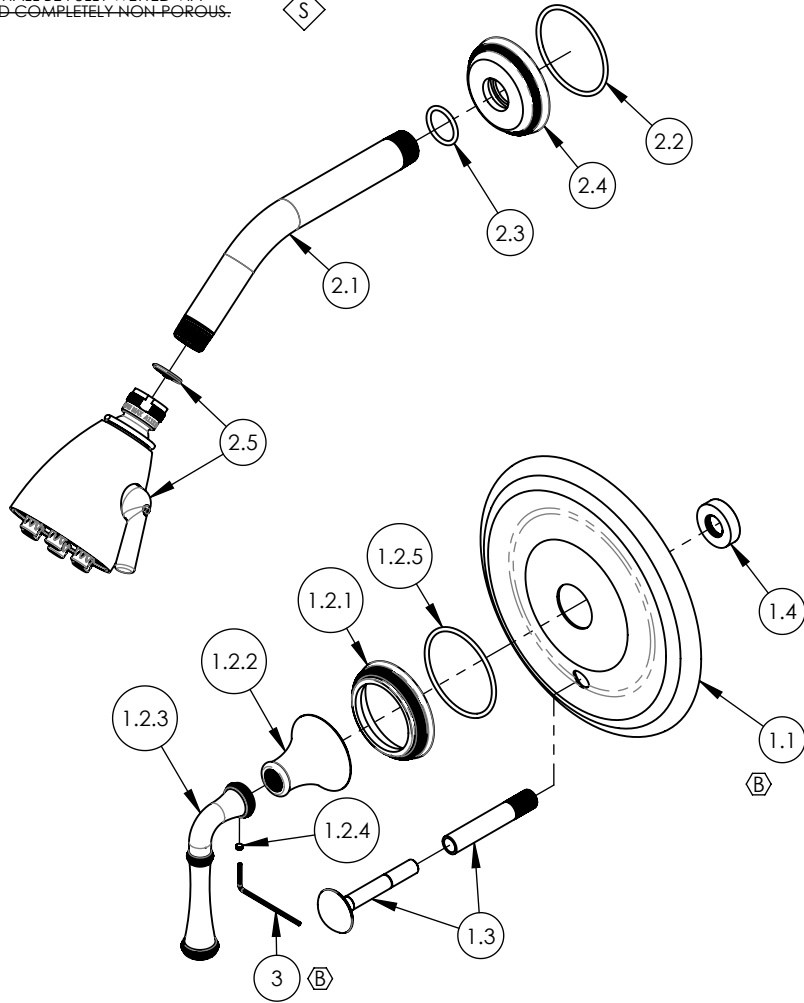


- NOTE(S):
1. PART NUMBER, "/00" DENOTES PART SHALL HAVE FINISH.
 2. APPLY NSF COMPLIANT GREASE TO ANY O-RING, SEALING JOINTS, AND/OR PIVOTAL POINTS.
 3. APPLY NSF COMPLIANT LOCTITE TO THREADED AREA.
 4. APPLY NSF COMPLIANT REMOVABLE (BLUE) LOCTITE TO THREADED AREA.
 5. SILVER SOLDER JOINTS SHALL BE FULLY WETTED VIA CAPILLARY ACTION AND COMPLETELY NON-POROUS.



ITEM NO.	PART NUMBER	DESCRIPTION	QTY.
1	4-134/00	PRESSURE BALNACE SHOWER PLATE W/ DIVERTER & HANDLE TRIM SET	1
1.1	P17011/00	TRIM PLATE, PRESSURE BALANCE, SMOOTH, DOUBLE HOLE	1
1.2	3-317/00	LEVER HANDLE, COINED SERIES	1
1.2.1	10978/00	ESCUTCHEON HANDLE BASE COINED, 3RING, COINED SERIES	1
1.2.2	10972/00	HUB, TRANSITIONAL 3RING	1
1.2.3	10977/00	HANDLE, STRAIGHT LEVER COINED, 3RING	1
1.2.4	92163	SET SCREW, CONE PT 8-32 X 1/8"L	1
1.2.5	90138	O-RING, 2 1/8"ID X 3/32"THK., AS-568-138	1
1.3	3-125/00	DIVERTER EXTENSION ASSY FOR PB TUB & SHOWER SET	1
1.4	11087	SLEEVE FOR PB-THERM PLATE	1
2	4-137/00	SMOOTH SHOWER HEAD W/8" ARM, COINED FLANGE, COINED SERIES	1
2.1	P16008/00	SHOWER ARM (8 INCH)	1
2.2	90138	O-RING, 2 1/8"ID X 3/32"THK., AS-568-138	1
2.3	90117	O-RING, 7/8"ID X 33/32"THK., AS-568-117	1
2.4	11121/00	SHOWER FLANGE, COINED SERIES	1
2.5	3-018/00	SHOWERHEAD SIX JET	1
3	92021	HEX KEY 5/64, FOR 8-32 SET SCREW	1

ZONE	REV.	DESCRIPTION	DATE	APPROVED
B4, C3	B	UPDATE TRIM PLATE & HEX KEY	4/23/2021	AMM
REVISIONS				

1261 LOGAN AVENUE
COSTA MESA, CALIFORNIA 92626
PHONE: 714.361.4800
FAX: 714.617.3120

PHYLIRICH[®]
Defining Luxury Since 1959

PROPRIETARY AND CONFIDENTIAL
THE INFORMATION CONTAINED IN THIS DRAWING IS THE SOLE PROPERTY OF PHYLIRICH. ANY REPRODUCTION IN PART OR AS A WHOLE WITHOUT THE WRITTEN PERMISSION OF PHYLIRICH IS PROHIBITED.
DO NOT SCALE DRAWING

PRESSURE BALANCE SHOWER & DIVERTER SET (LESS SPOUT)

SIZE A	ASM/PRT NO. 4-150/00	REV B
SCALE: 1:4.5	WEIGHT: lbs.	SHEET 1 OF 2

5

4

3

2

1

E

E

D

D

C

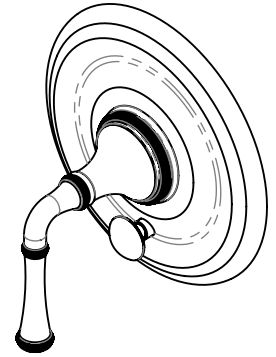
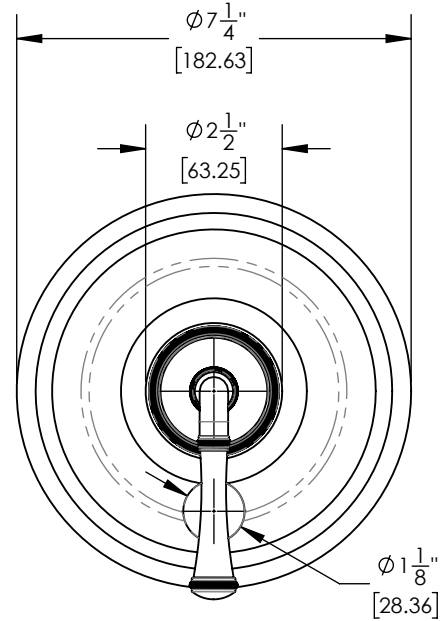
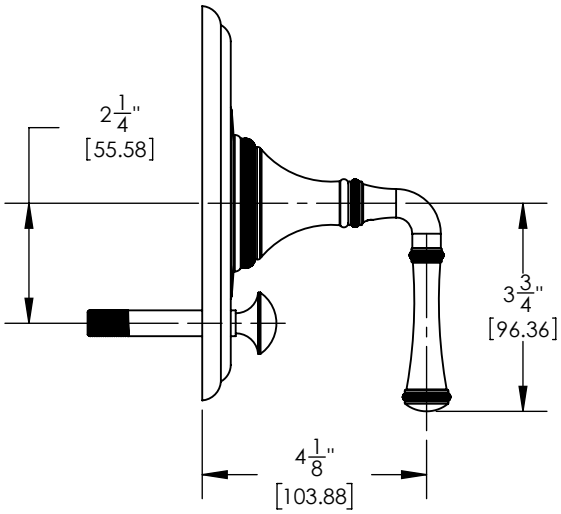
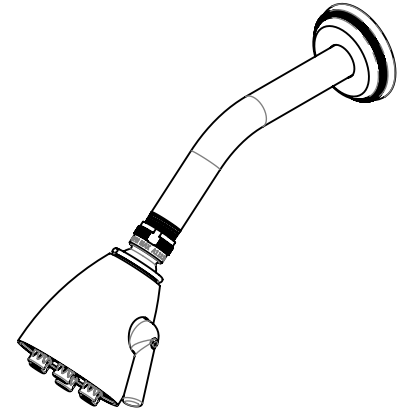
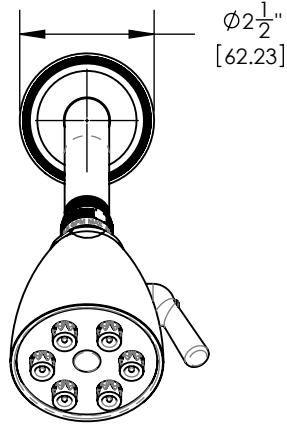
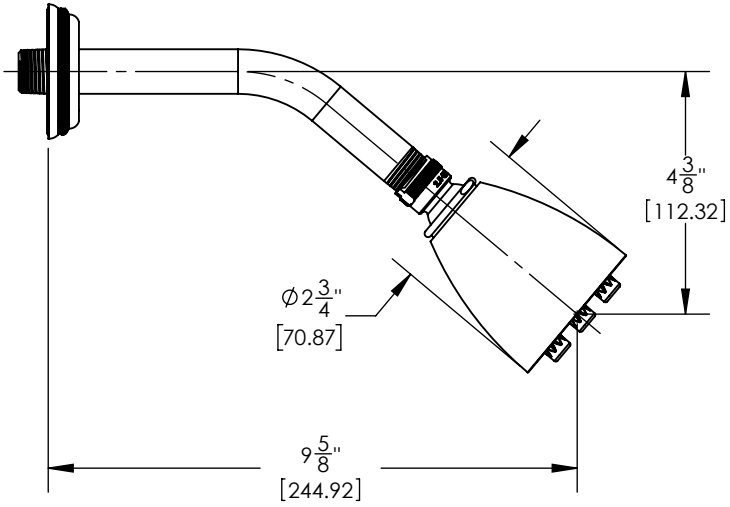
C

B

B

A

A



1261 LOGAN AVENUE
COSTA MESA, CALIFORNIA 92626
PHONE: 714.361.4800
FAX: 714.617.3120

PHYLIRICH[®]
Defining Luxury Since 1959

PROPRIETARY AND CONFIDENTIAL
THE INFORMATION CONTAINED IN THIS DRAWING IS THE SOLE PROPERTY OF PHYLIRICH. ANY REPRODUCTION IN PART OR AS A WHOLE WITHOUT THE WRITTEN PERMISSION OF PHYLIRICH IS PROHIBITED.
DO NOT SCALE DRAWING

PRESSURE BALANCE SHOWER & DIVERTER SET (LESS SPOUT)

SIZE A	ASM/PRT NO.	REV
	4-150/00	B
SCALE: 1:3.5	WEIGHT: lbs.	SHEET 2 OF 2

5

4

3

2

1