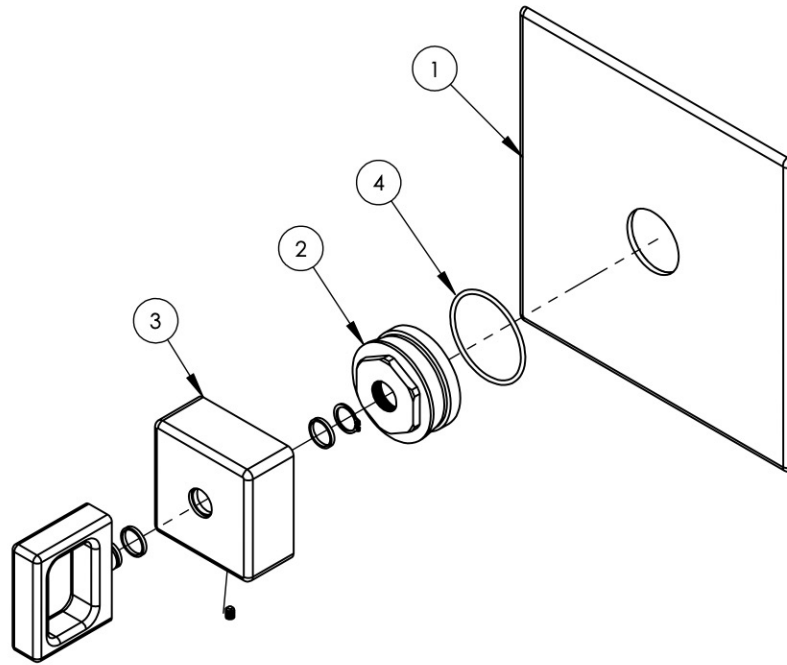


ITEM NO.	PART NUMBER	DESCRIPTION	QTY.
1	10958/00	PLATE, SHOWER TRIM MIX SERIES	1
2	11004	SLEEVE MOUNT, WALL SHOWER	1
3	3-121/00	PB SHOWER SET, HANDLE WINDOW MIX	1
	10962/00	HUB FOR SHOWER, MIX SERIES	1
	10925/00	HANDLE, RING/WINDOW MIX SERIES	1
	92176	WEAR WASHER	2
	92177	RETAINING RING, 7/16" SHAFT	1
	92005	SET SCREW, CUP PT 6-32UNC THREAD 3/16"L	1
4	90029	O-RING, 1-5/8"ID X 1-3/4"OD X 1/16"THK, AS-568-029	1



ZONE	REV.	DESCRIPTION	DATE	APPROVED
REVISIONS				

NEXT ASSY	USED ON

MATERIAL	APPLICATION

FINISH	NAME	DATE
	MAF	12/18/2013

DO NOT SCALE DRAWING	CHECKED	GRE

-	-	INTERPRET GEOMETRIC DIMENSIONING & TOLERANCING IN ACCORDANCE WITH ASME Y14.5-2009 & ASME Y14.41-2003 STANDARDS, UNLESS OTHERWISE SPECIFIED. DIMENSIONS ARE IN INCHES. TOLERANCES ARE: FRACTIONS ±1/64" DECIMALS X.X: ±.1 X.XX: ±.01 X.XXX: ±.005 ANGULAR ±.5°
-	-	
-	-	

PB PLATE, RING HANDLE, MIX SERIES		
SIZE	ASM/PRT NO.	REV
<b>A</b>	4-113/00	-
SCALE: 1:3	WEIGHT: lbs.	SHEET 1 OF 2

1261 LOGAN AVENUE  
COSTA MESA, CALIFORNIA 92626  
PHONE: 714.361.4800  
FAX: 714.617.3120



**RSS MANUFACTURING**

**PROPRIETARY AND CONFIDENTIAL**  
THE INFORMATION CONTAINED IN THIS DRAWING IS THE SOLE PROPERTY OF RSS MANUFACTURING. ANY REPRODUCTION IN PART OR AS A WHOLE WITHOUT THE WRITTEN PERMISSION OF RSS MANUFACTURING IS PROHIBITED.

5

4

3

2

1

A

B

C

D

E