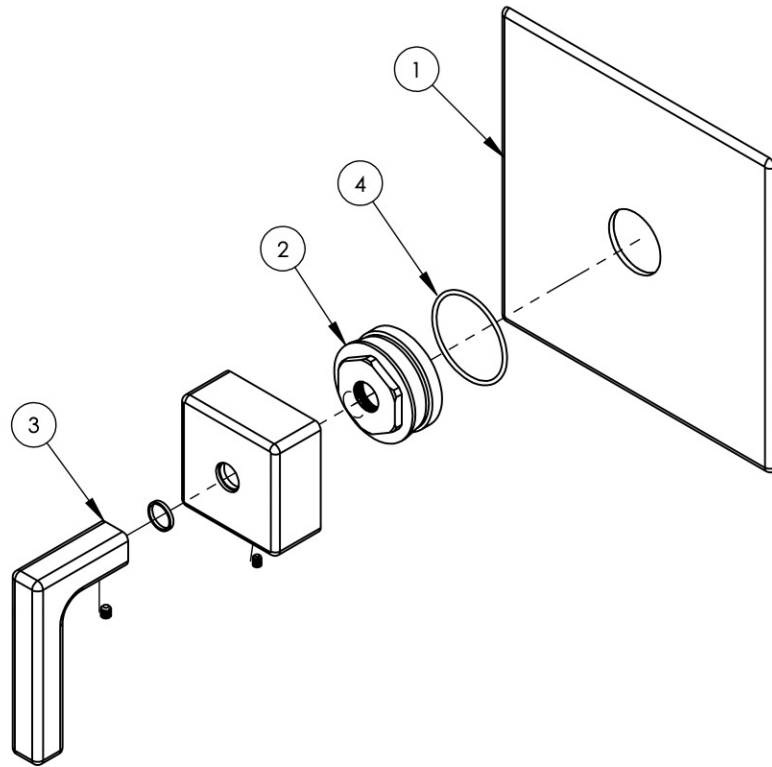


ITEM NO.	PART NUMBER	DESCRIPTION	QTY.
1	10958/00	PLATE, SHOWER TRIM MIX SERIES	1
2	11004	SLEEVE MOUNT, WALL SHOWER	1
3	3-120/00	PB SHOWER SET, HANDLE LEVER MIX SERIES	1
	10962/00	HUB FOR SHOWER, MIX SERIES	1
	10924/00	HANDLE, LEVER MIX SERIES	1
	92005	SET SCREW, CUP PT 6-32UNC THREAD 3/16"L	1
	92176	WEAR WASHER	1
	92008	SET SCREW, CUP POINT 8-32	1
4	90029	O-RING, 1-5/8"ID X 1-3/4"OD X 1/16"THK, AS-568-029	1



A

B

C

D

E

ZONE	REV.	DESCRIPTION	DATE	APPROVED
REVISIONS				

REVISIONS

1261 LOGAN AVENUE COSTA MESA, CALIFORNIA 92626 PHONE: 714.361.4800 FAX: 714.617.3120		PROPRIETARY AND CONFIDENTIAL THE INFORMATION CONTAINED IN THIS DRAWING IS THE SOLE PROPERTY OF RSS MANUFACTURING. ANY REPRODUCTION IN PART OR AS A WHOLE WITHOUT THE WRITTEN PERMISSION OF RSS MANUFACTURING IS PROHIBITED.
---	---	---

-	-	INTERPRET GEOMETRIC DIMENSIONING & TOLERANCING IN ACCORDANCE WITH ASME Y14.5-2009 & ASME Y14.41-2003 STANDARDS, UNLESS OTHERWISE SPECIFIED. DIMENSIONS ARE IN INCHES. TOLERANCES ARE: FRACTIONS: ±1/64" DECIMALS: X.X: ±.1 X.XX: ±.01 X.XXX: ±.005 ANGULAR: ±.5°		
NEXT ASSY		USED ON		MATERIAL FINISH
APPLICATION				
DRAWN		NAME	DATE	CHECKED GRE
MAF		12/18/2013		
DO NOT SCALE DRAWING				

PB PLATE, LEVER HANDLE, MIX SERIES			
SIZE	ASM/PRT NO.	REV	
A	4-112/00	-	
SCALE: 1:3	WEIGHT: lbs.	SHEET 1 OF 2	

5

4

3

2

1