

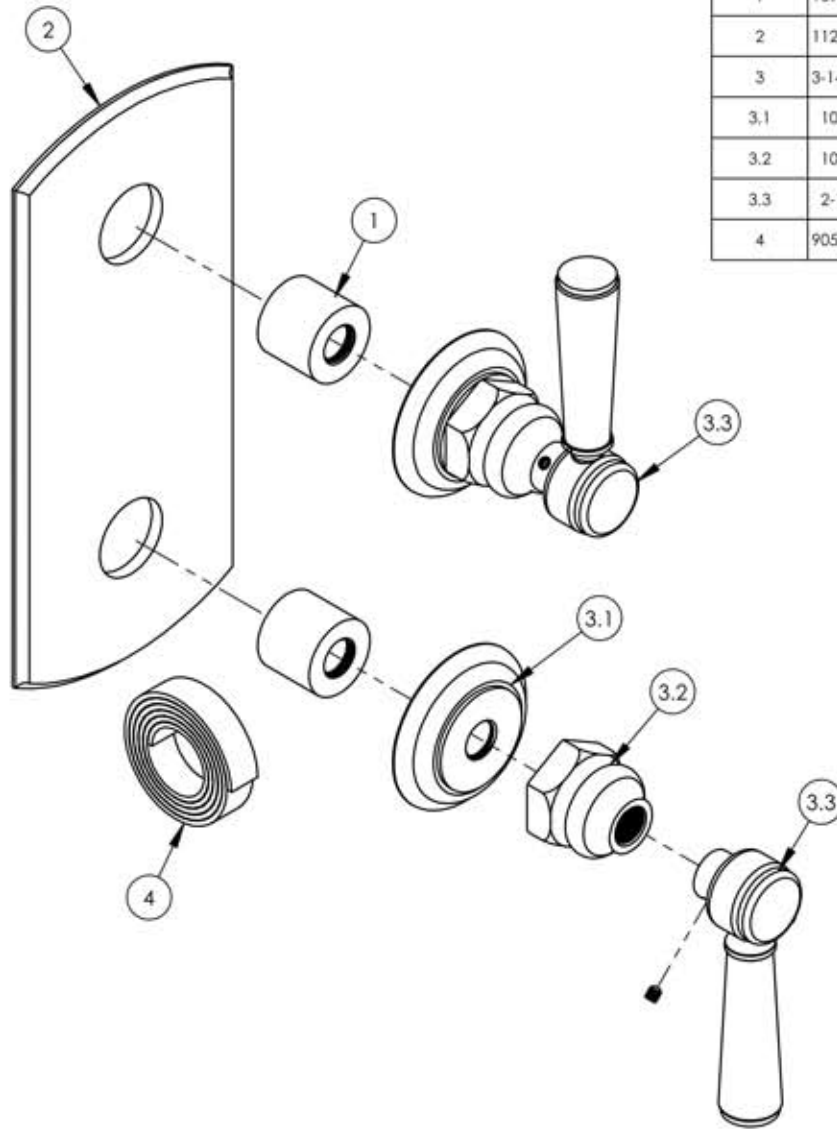
A

B

C

D

E



ITEM NO.	PART NUMBER	DESCRIPTION	QTY.
1	10986	CENTERING PLATE SLEEVE	2
2	11202/00	PLATE, TWO HANDLE BEVELED EDGE	1
3	3-143/00	LEVER HANDLE, WALL/SHOWER, 500 SERIES.	2
3.1	10618/00	ESCUTCHEON, TRADITIONAL 500	1
3.2	10621/00	BASE HUB NUT	1
3.3	2-141	SUB ASSY. LEVER HANDLE, 500 SERIES	1
4	90537	1/16" TAPE FOR WALL PLATE	1

ZONE	REV.	DESCRIPTION	DATE	APPROVED
		REVISIONS		

1261 LOGAN AVENUE COSTA MESA, CALIFORNIA 92626 PHONE: 714.361.4800 FAX: 714.617.3120		<h1>PHYLTRICH®</h1> <p>Defining Luxury Since 1959</p>	<b>PROPRIETARY AND CONFIDENTIAL</b> THE INFORMATION CONTAINED IN THIS DRAWING IS THE SOLE PROPERTY OF RSS MANUFACTURING. ANY REPRODUCTION IN PART OR AS A WHOLE WITHOUT THE WRITTEN PERMISSION OF RSS MANUFACTURING IS PROHIBITED.
---	--	---	---

-		INTERPRET GEOMETRIC DIMENSIONING & TOLERANCING IN ACCORDANCE WITH ASME Y14.5-2009 & ASME Y14.41-2003 STANDARDS, UNLESS OTHERWISE SPECIFIED. DIMENSIONS ARE IN INCHES. TOLERANCES ARE:		
NEXT ASSY	USED ON	FRACTIONS ±1/64"	DECIMALS X.X: ±.1 X.XX: ±.01 X.XXX: ±.005	ANGULAR ±.5°
APPLICATION		MATERIAL	NAME	DATE
FINISH		DRAWN	LLO	10/23/2015
DO NOT SCALE DRAWING		CHECKED	GRE	

1/2" MINI THERMOSTATIC VALVE  
 W/VOLUME CONTROL OR DIVERTER,  
 LEVER HANDLES

SIZE	ASM/PRT NO.	REV
<b>A</b>	4-100/00	-
SCALE: 1:2.5	WEIGHT: lbs.	SHEET 1 OF 2

5

4

3

2

1