

5

4

3

2

1

E

E

D

D

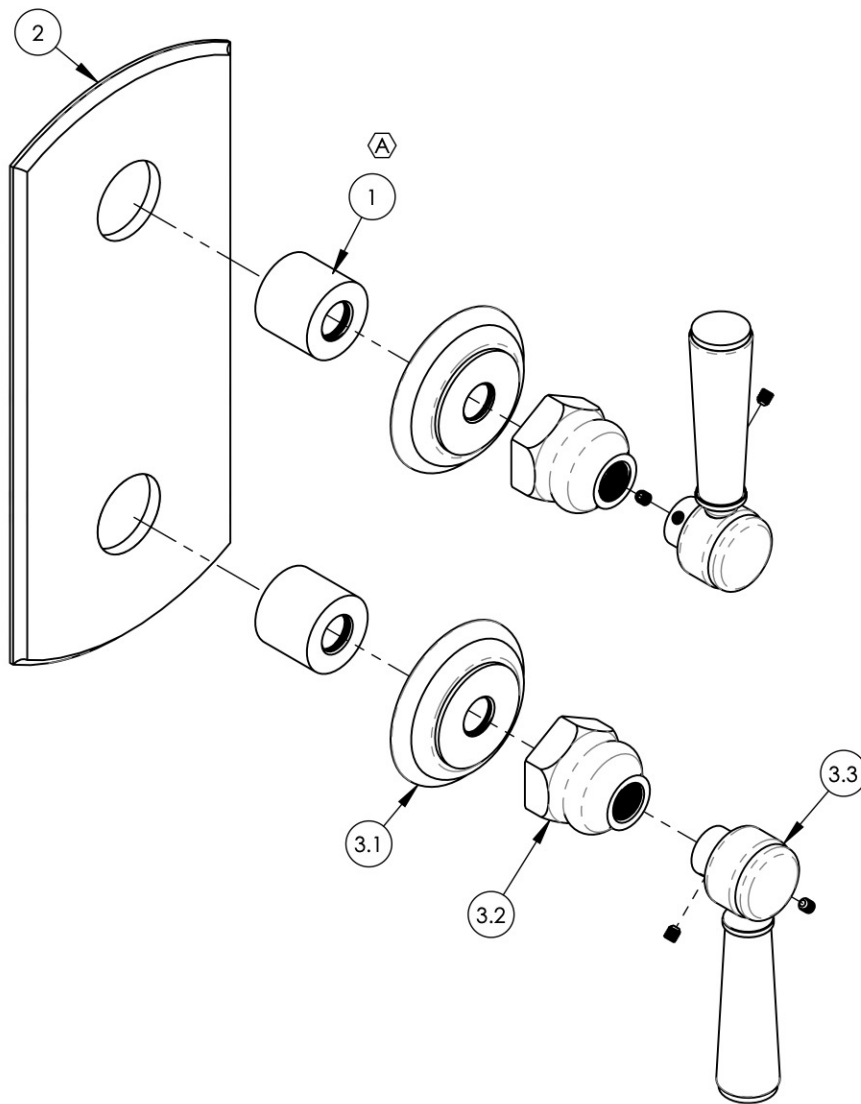
C

C

B

B

ITEM NO.	PART NUMBER	DESCRIPTION	QTY.
1	11087	SLEEVE FOR PB-THERM PLATE	2
2	11202/00	PLATE, TWO HANDLE BEVELED EDGE	1
3	3-143/00	LEVER HANDLE, WALL/SHOWER, 500 SERIES,	2
3.1	10618/00	ESCUTCHEON, TRADITIONAL 500	1
3.2	10621/00	BASE HUB NUT	1
3.3	2-141/00	SUB ASSY. LEVER HANDLE, 500 SERIES	1



Ⓐ

ALL	REV.	DESCRIPTION	DATE	APPROVED
A		UPDATE TEMPLATE, DWG NAME, CENTERING SLEEVES, REMOVE TAPE	12/12/2019	AMM
REVISIONS				

1261 LOGAN AVENUE
 COSTA MESA, CALIFORNIA 92626
 PHONE: 714.361.4800
 FAX: 714.617.3120

PHYLIRICH[®]
 Defining Luxury Since 1959

PROPRIETARY AND CONFIDENTIAL

THE INFORMATION CONTAINED IN THIS DRAWING IS THE SOLE PROPERTY OF PHYLIRICH. ANY REPRODUCTION IN PART OR AS A WHOLE WITHOUT THE WRITTEN PERMISSION OF PHYLIRICH IS PROHIBITED.

-	-	INTERPRET GEOMETRIC DIMENSIONING & TOLERANCING IN ACCORDANCE WITH ASME Y14.5-2009 & ASME Y14.41-2003 STANDARDS, UNLESS OTHERWISE SPECIFIED. DIMENSIONS ARE IN INCHES. TOLERANCES ARE:		
NEXT ASSY	USED ON	FRACTIONS ±1/16"	DECIMALS X.X: ±.1 X.XX: ±.01 X.XXX: ±.005	ANGULAR ±2°
APPLICATION		MATERIAL	NAME	DATE
FINISH		DRAWN	LLO	10/23/2015
DO NOT SCALE DRAWING		CHECKED	GRE	

THERM, SHOWER TRIM, TWO HANDLE, LEVER, HEX TRADITIONAL

SIZE	ASM/PRT NO.	REV
A	4-100/00	A

SCALE: 1:2.5 WEIGHT: lbs. SHEET 1 OF 2

5

4

3

2

1

A

A