

5

4

3

2

1

E

D

C

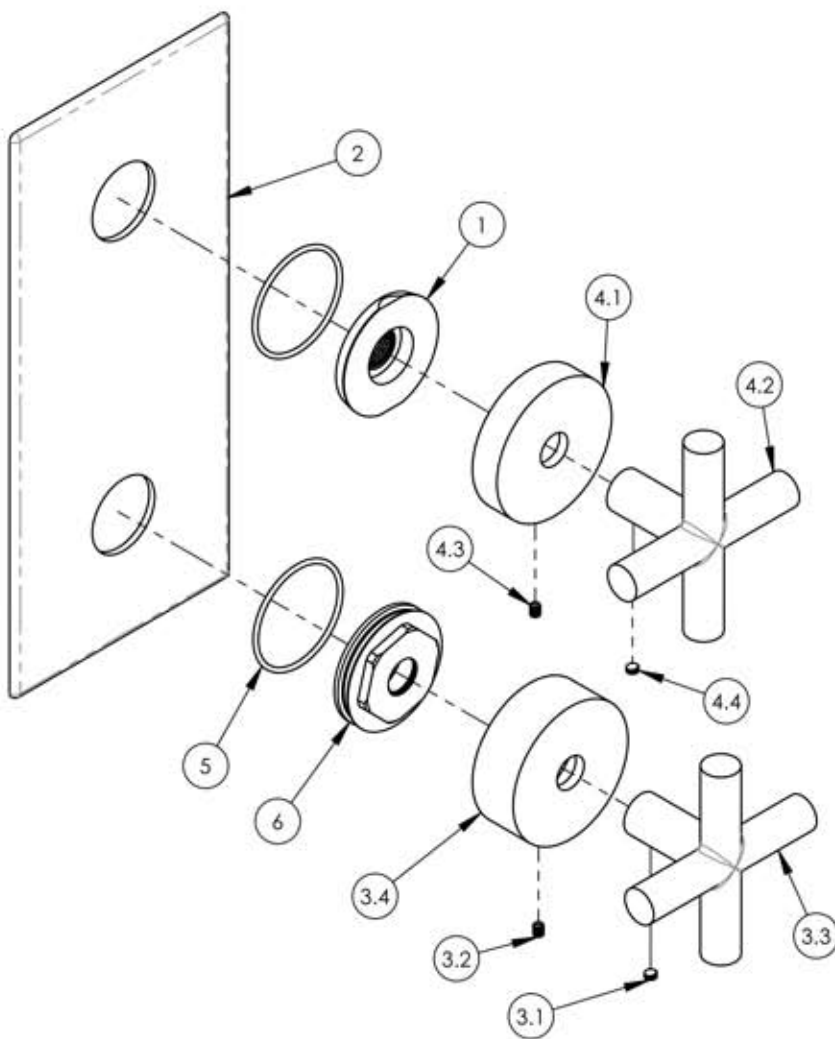
B

E

D

C

B



ITEM NO.	PART NUMBER	DESCRIPTION	QTY.
1	11003	SLEEVE MOUNT, WALL MT WIDESPREAD	1
2	11204/00	PLATE, TWO HANDLE FLAT RADII EDGE	1
3	3-350/00	ASSY, CROSS HANDLE, TALL ESCUTCHEON HUB, TRANSITION ONE	1
3.1	92163	SET SCREW, CONE PT 8-32 X 1/8"L	1
3.2	92005	SET SCREW, CUP PT 6-32 UNC THREAD 3/16"L	1
3.3	2-301/00	BRAZE, CROSS HANDLE, HUB	1
3.4	11932/00	ESCUTCHEON HUB, TALL, SHOWER, TRANSITION ONE	1
4	3-573/00	ASSY, CROSS HANDLE, ESCUTCHEON, HARDWARE	1
4.1	11703/00	ESCUTCHEON, HANDLE	1
4.2	2-301/00	BRAZE, CROSS HANDLE, HUB	1
4.3	92005	SET SCREW, CUP PT 6-32 UNC THREAD 3/16"L	1
4.4	92163	SET SCREW, CONE PT 8-32 X 1/8"L	1
5	90029	O-RING, 1-5/8"ID X 1-3/4"OD X 1/16"THK, AS-568-029	2
6	92401	BASE MOUNT, TRIM PLATE TO ESCUTCHEON	1

ZONE	REV.	DESCRIPTION	DATE	APPROVED
REVISIONS				

1261 LOGAN AVENUE  
COSTA MESA, CALIFORNIA 92626  
PHONE: 714.361.4800  
FAX: 714.617.3120

# PHYLORICH®

Defining Luxury Since 1959

**PROPRIETARY AND CONFIDENTIAL**

THE INFORMATION CONTAINED IN THIS DRAWING IS THE SOLE PROPERTY OF RSS MANUFACTURING. ANY REPRODUCTION IN PART OR AS A WHOLE WITHOUT THE WRITTEN PERMISSION OF RSS MANUFACTURING IS PROHIBITED.

-	-	INTERPRET GEOMETRIC DIMENSIONING & TOLERANCING IN ACCORDANCE WITH ASME Y14.5-2009 & ASME Y14.41-2003 STANDARDS, UNLESS OTHERWISE SPECIFIED. DIMENSIONS ARE IN INCHES. TOLERANCES ARE:		
NEXT ASSY	USED ON	FRACTIONS ±1/64"	DECIMALS X.X: ±.1 X.XX: ±.01 X.XXX: ±.005	ANGULAR ±.5°
APPLICATION		MATERIAL	NAME	DATE
FINISH		DRAWN	AMM	12/5/2019
DO NOT SCALE DRAWING		CHECKED		

THERM, SHOWER TRIM, TWO HANDLE -  
CROSS, TRANSITION ONE

SIZE ASM/PRT NO. REV  
**A** 4-012/00

SCALE: 1:2.5 WEIGHT: lbs. SHEET 1 OF 2

5

4

3

2

1

A

A