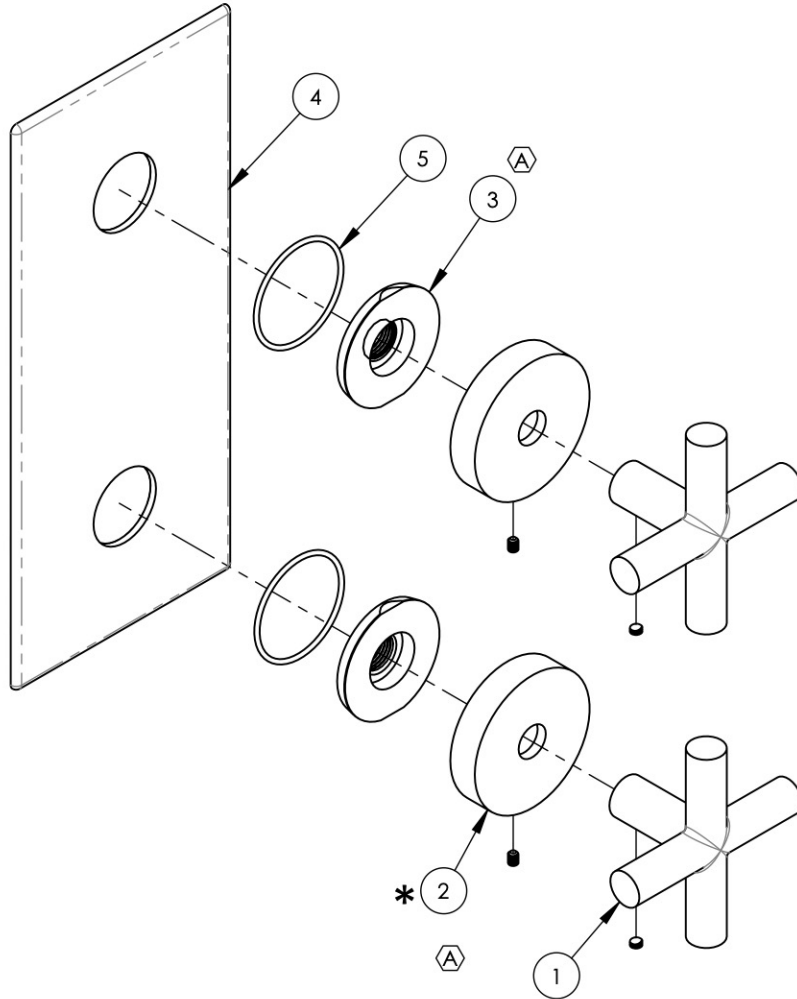


NOTE(S):

1. FOR DEEPER ESCUTCHEON:

- A. 3-353/00
- B. 92401



ITEM NO.	PART NUMBER	DESCRIPTION	QTY.
1	3-580/00	HANDLE CROSS W/ SET SCREW, TRANSITION	2
* 2	3-590/00	ESCUTCHEON W/ SET SCREW, TRANSITION	2
3	11003	SLEEVE MOUNT, WALL MT WIDESPREAD	2
4	11204/00	PLATE, TWO HANDLE FLAT RADII EDGE	1
5	90029	O-RING, 1-5/8"ID X 1-3/4"OD X 1/16"THK, AS-568-029	2

ZONE	REV.	DESCRIPTION	DATE	APPROVED
B3, D3, E5	A	UPDATE SLEEVE MOUNT & ESCUTCHEON HUBS, ADD NOTES	3/13/2020	AMM
REVISIONS				

1261 LOGAN AVENUE  
COSTA MESA, CALIFORNIA 92626  
PHONE: 714.361.4800  
FAX: 714.617.3120

**PHYLIRICH®**  
Defining Luxury Since 1959

**PROPRIETARY AND CONFIDENTIAL**

THE INFORMATION CONTAINED IN THIS DRAWING IS THE SOLE PROPERTY OF PHYLIRICH. ANY REPRODUCTION IN PART OR AS A WHOLE WITHOUT THE WRITTEN PERMISSION OF PHYLIRICH IS PROHIBITED.

-	-	INTERPRET GEOMETRIC DIMENSIONING & TOLERANCING IN ACCORDANCE WITH ASME Y14.5-2009 & ASME Y14.41-2003 STANDARDS, UNLESS OTHERWISE SPECIFIED. DIMENSIONS ARE IN INCHES. TOLERANCES ARE:		
NEXT ASSY	USED ON	<b>FRACTIONS</b> ±1/16"	<b>DECIMALS</b> X.X: ±.1 X.XX: ±.01 X.XXX: ±.005	<b>ANGULAR</b> ±2°
APPLICATION		MATERIAL	NAME	DATE
FINISH		DRAWN	AMM	12/5/2019
<b>DO NOT SCALE DRAWING</b>		CHECKED		

**THERM, SHOWER TRIM, TWO HANDLE - CROSS, TRANSITION**

SIZE	ASM/PRT NO.	REV
<b>A</b>	4-012/00	<b>A</b>
SCALE: 1:2.5	WEIGHT: lbs.	SHEET 1 OF 2