

NOTE(S):
 1. PART NUMBER, "/00" DENOTES PART SHALL HAVE FINISH.

2. APPLY NSF COMPLIANT GREASE TO ANY O-RING, SEALING JOINTS, AND/OR PIVOTAL POINTS.

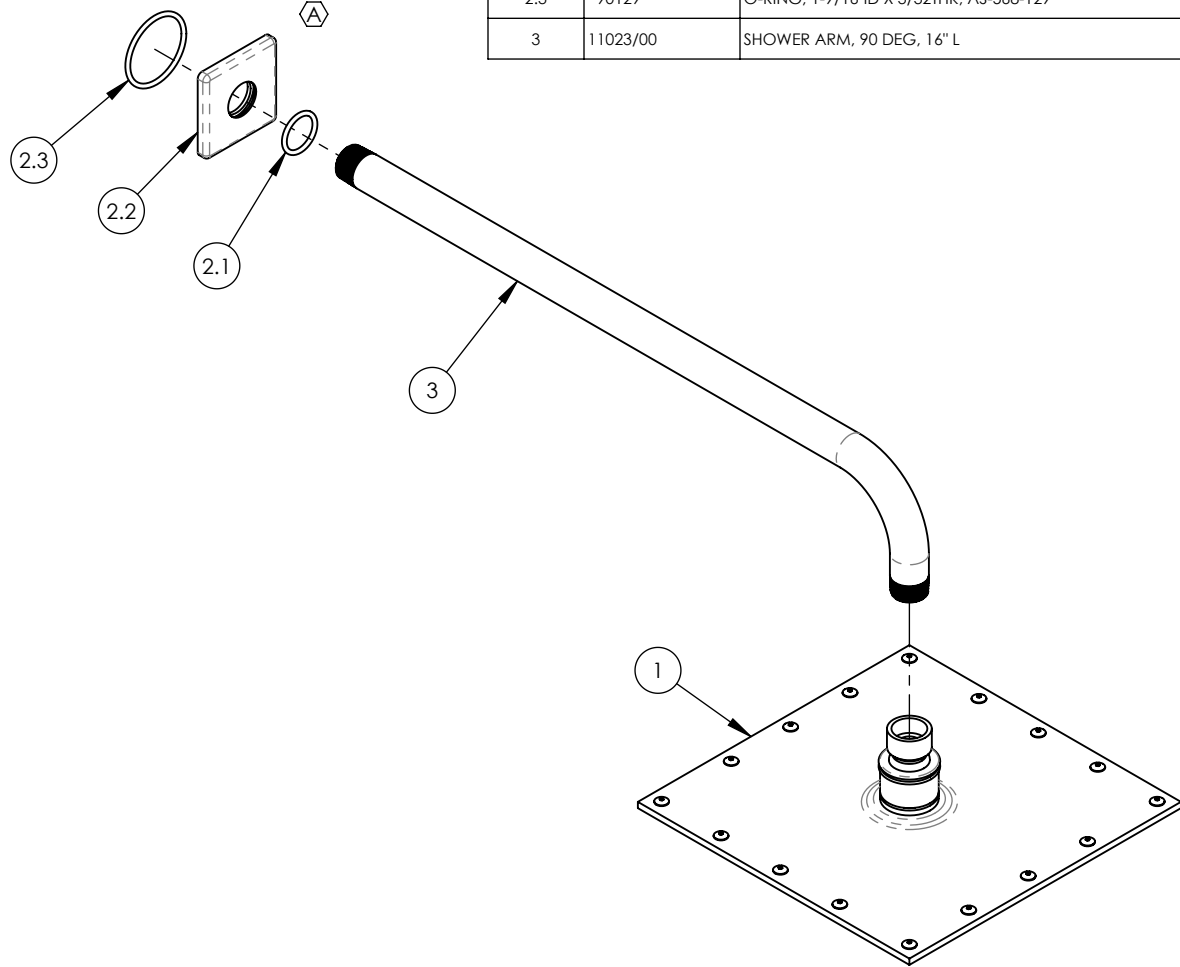
3. APPLY NSF COMPLIANT LOCTITE TO THREADED AREA.

4. APPLY NSF COMPLIANT REMOVABLE (BLUE) LOCTITE TO THREADED AREA.

5. SILVER SOLDER JOINTS SHALL BE FULLY WETTED VIA CAPILLARY ACTION AND COMPLETELY NON-POROUS.



ITEM NO.	PART NUMBER	DESCRIPTION	QTY.
1	3-333/00	SHOWERHEAD, RAIN SQUARE 8"	1
2	3-719/00	SHOWER FLANGE, MIX/ STRIA	1
2.1	90117	O-RING, 7/8"ID X 33/32"THK., AS-568-117	1
2.2	10935/00	ESCUTCHEON, SHOWER FLANGE MIX SERIES	1
2.3	90129	O-RING, 1-9/16"ID X 3/32THK, AS-568-129	1
3	11023/00	SHOWER ARM, 90 DEG, 16" L	1



D4	A	ADD SUB ASSEMBLY TO FLANGE, UPDATE WHERE USED, ADD 2ND SHEET	5/13/2022	AMM
ZONE	REV.	DESCRIPTION	DATE	APPROVED
REVISIONS				

1261 LOGAN AVENUE
 COSTA MESA, CALIFORNIA 92626
 PHONE: 714.361.4800
 FAX: 714.617.3120

PHYLIRICH[®]
 Defining Luxury Since 1959

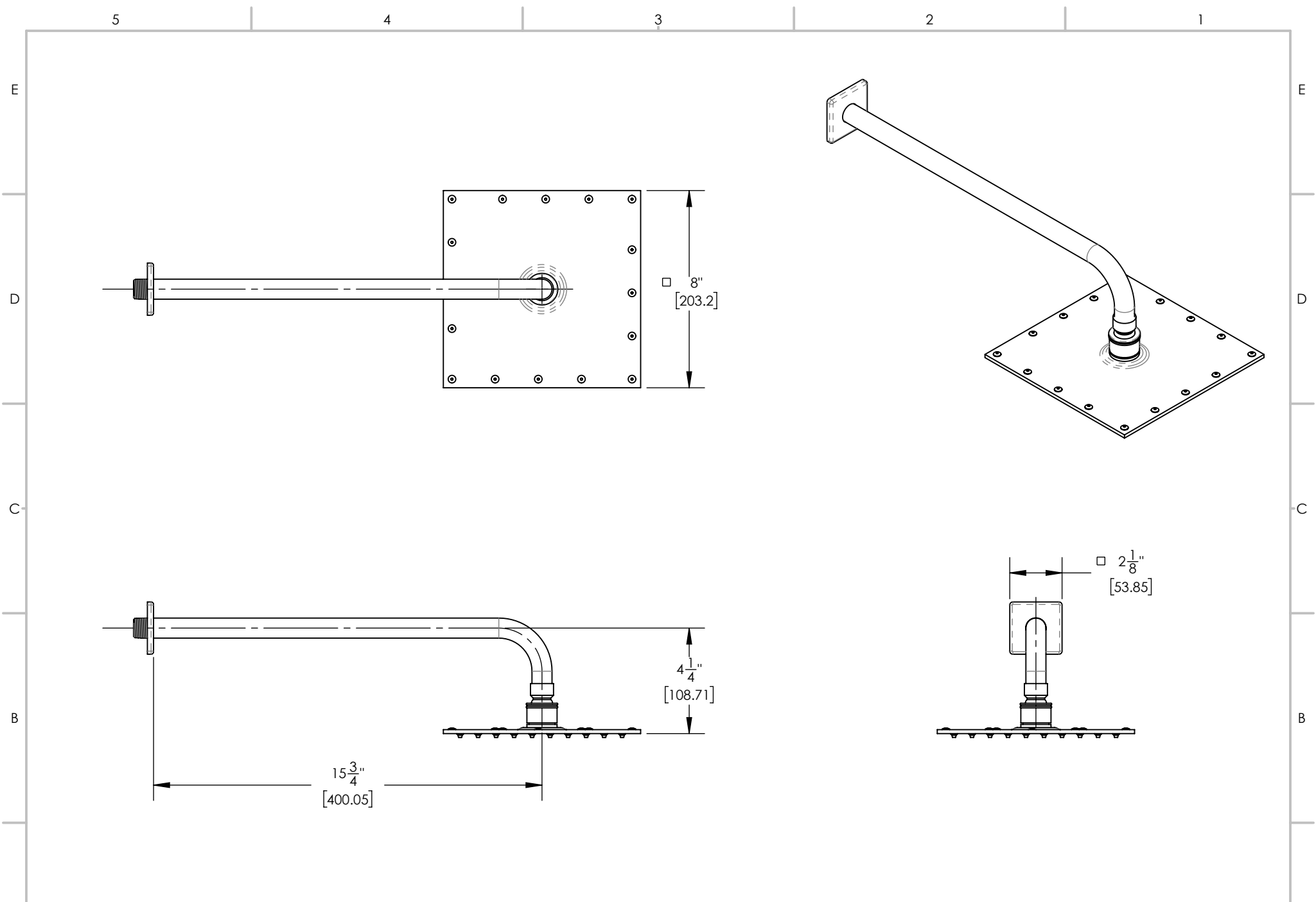
PROPRIETARY AND CONFIDENTIAL
 THE INFORMATION CONTAINED IN THIS DRAWING IS THE SOLE PROPERTY OF PHYLIRICH. ANY REPRODUCTION IN PART OR AS A WHOLE WITHOUT THE WRITTEN PERMISSION OF PHYLIRICH IS PROHIBITED.

4-550/00	-	INTERPRET GEOMETRIC DIMENSIONING & TOLERANCING IN ACCORDANCE WITH ASME Y14.5-2009 & ASME Y14.41-2003 STANDARDS. UNLESS OTHERWISE SPECIFIED, DIMENSIONS ARE IN INCHES. TOLERANCES ARE:	
4-545/00	-		
290-101/00	-		
NEXT ASSY	USED ON	FRACTIONS $\pm 1/16"$ DECIMALS X.X: $\pm .1$ X.XX: $\pm .01$ X.XXX: $\pm .005$ ANGULAR $\pm 2^\circ$	
APPLICATION			
MATERIAL		NAME	DATE
FINISH		DRAWN	RAH 9/4/2018
DO NOT SCALE DRAWING		CHECKED	

ASSY, 8" SQUARE RAIN SHOWER HEAD

SIZE	ASM/PRT NO.	REV
A	3-558/00	A

SCALE: 1:4 WEIGHT: lbs. SHEET 1 OF 2



1261 LOGAN AVENUE
 COSTA MESA, CALIFORNIA 92626
 PHONE: 714.361.4800
 FAX: 714.617.3120

PHYLIRICH[®]
 Defining Luxury Since 1959

PROPRIETARY AND CONFIDENTIAL
 THE INFORMATION CONTAINED IN THIS DRAWING IS THE SOLE PROPERTY OF PHYLIRICH. ANY REPRODUCTION IN PART OR AS A WHOLE WITHOUT THE WRITTEN PERMISSION OF PHYLIRICH IS PROHIBITED.
DO NOT SCALE DRAWING

ASSY, 8" SQUARE RAIN SHOWER HEAD

SIZE A	ASM/PRT NO. 3-558/00	REV A
SCALE: 1:5	WEIGHT: lbs.	SHEET 2 OF 2