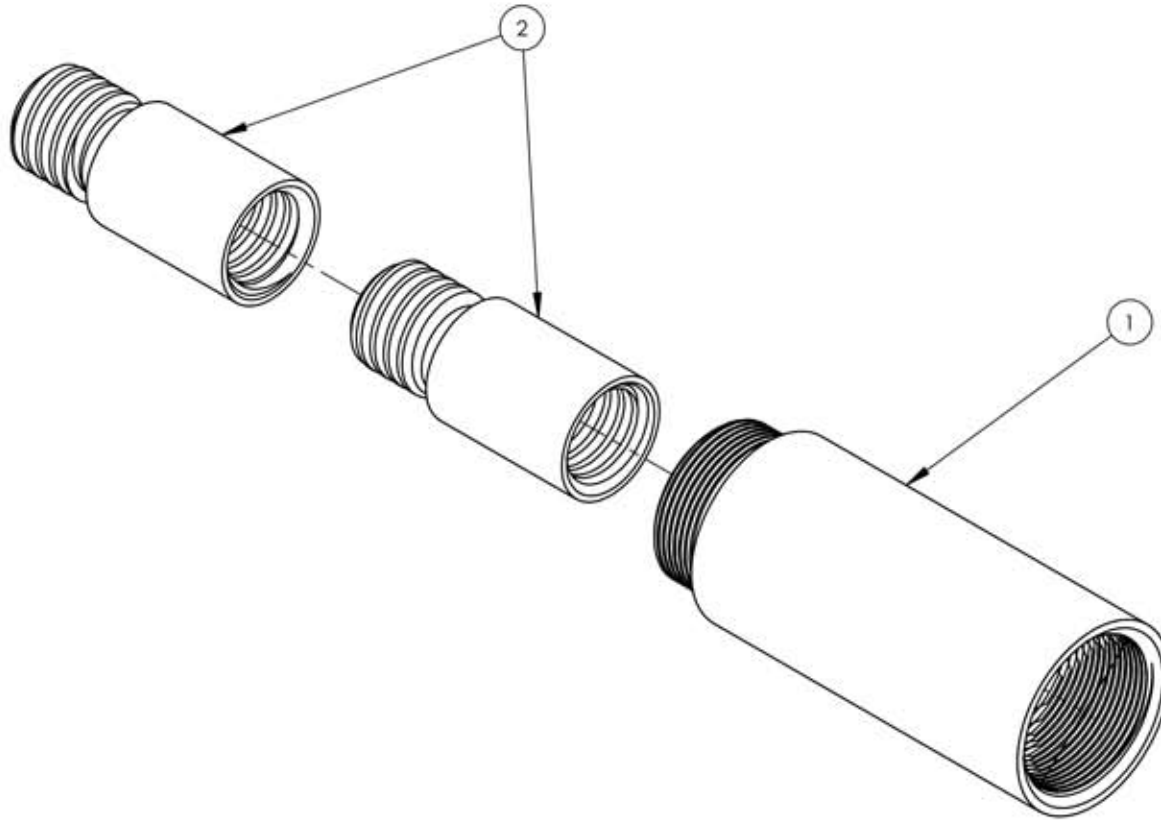


ITEM NO.	PART NUMBER	DESCRIPTION	QTY.
1	P31002	SLEEVE EXT. F/P .B PLATE	1
2	I1085	EXTENSION PIN FOR PB TUB & SHOWER SET	2



ZONE	REV.	DESCRIPTION	DATE	APPROVED
REVISIONS				

1261 LOGAN AVENUE COSTA MESA, CALIFORNIA 92626 PHONE: 714.361.4800 FAX: 714.617.3120	<h1>PHYLORICH®</h1> <p>Defining Luxury Since 1959</p>	PROPRIETARY AND CONFIDENTIAL <small>THE INFORMATION CONTAINED IN THIS DRAWING IS THE SOLE PROPERTY OF R3S MANUFACTURING. ANY REPRODUCTION IN PART OR AS A WHOLE WITHOUT THE WRITTEN PERMISSION OF R3S MANUFACTURING IS PROHIBITED.</small>
---	---	--

NEXT ASSY	USED ON	INTERPRET GEOMETRIC DIMENSIONING & TOLERANCING IN ACCORDANCE WITH ASME Y14.5-2009 & ASME Y14.41-2003 STANDARDS. UNLESS OTHERWISE SPECIFIED, DIMENSIONS ARE IN INCHES. TOLERANCES ARE: FRACTIONS ±1/64 DECIMALS X.X: ±.1 ANGULAR ±.5° X.XX: ±.01 X.XXX: ±.005		
APPLICATION		NAME	DATE	
MATERIAL		DRAWN	RAH	
FINISH		CHECKED		

1" PB DIVERTER EXTENSION KIT			
SIZE	ASM/PRT NO.	REV	
A	3-554	-	
SCALE: 2:1	WEIGHT: lbs.	SHEET 1 OF 1	

5

4

3

2

1

A

B

C

D

E