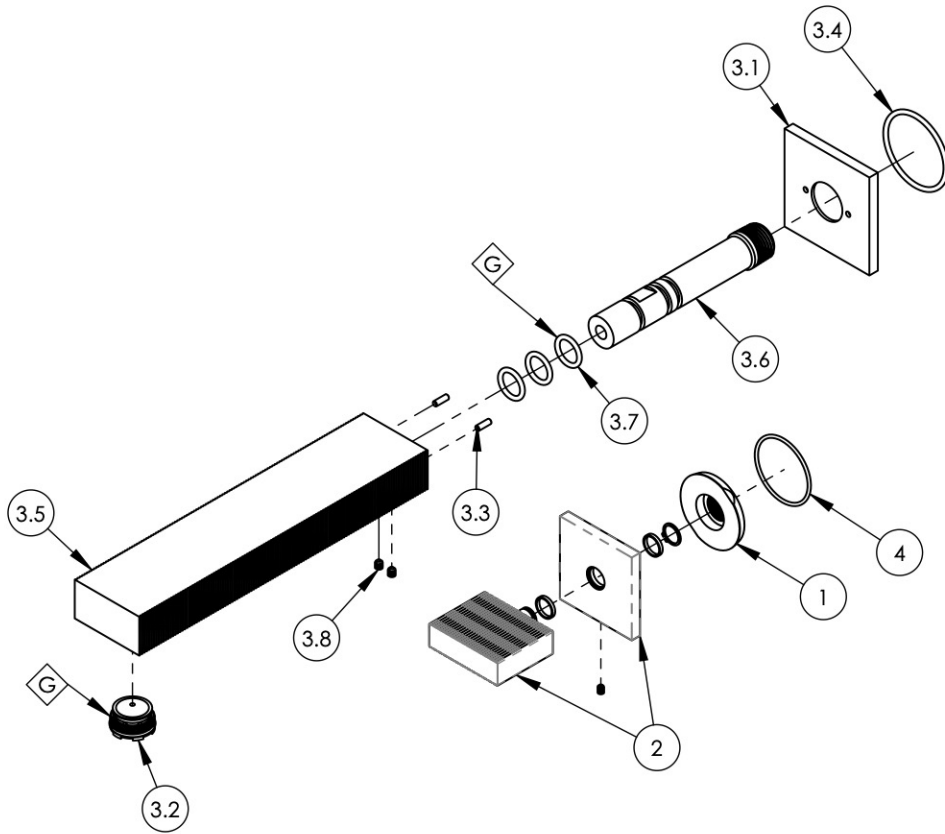


- NOTE(S):
- PART NUMBER, "/00" DENOTES PART SHALL HAVE FINISH.
 - APPLY NSF COMPLIANT GREASE TO ANY O-RING, SEALING JOINTS, AND/OR PIVOTAL POINTS.
 - APPLY NSF COMPLIANT LOCTITE TO THREADED AREA.
 - APPLY NSF COMPLIANT REMOVABLE (BLUE) LOCTITE TO THREADED AREA.
 - SILVER SOLDER JOINTS SHALL BE FULLY WETTED VIA CAPILLARY ACTION AND COMPLETELY NON POROUS.



ITEM NO.	PART NUMBER	DESCRIPTION	QTY.
1	11003	SLEEVE MOUNT, WALL MT WIDESPREAD	1
2	3-108/00	ASSY, HANDLE RIBBED BLADE	1
3	3-126/00	SPOUT, WALL LAV, 291 STRIA	1
3.1	10939/00	ESCUTCHEON, WIDESPREAD	1
3.2	11427	AERATOR, CACHE REG, PINK 1.2 GPM, M24X1.0, NEOPERL # 40.2360.010	1
3.3	92158	DOWEL PIN, 1/8" X 3/8"L	2
3.4	90131	O-RING, 1-11/16ID X 3/32THK, AS-568-131	1
3.5	11010/00	SPOUT, WALL MOUNT	1
3.6	10013	INJECTOR SHANK, 1/2"NPT MALE TO M16.5 CACHE W/ O-SEAL	1
3.7	90113	O-RING, 9/16"ID X 3/4"OD X 3/32"THK, AS-568-113	3
3.8	92008	SET SCREW, CUP POINT 8-32, 3/16" L.	2
4	90029	O-RING, 1-5/8"ID X 1-3/4"OD X 1/16"THK, AS-568-029	1



ZONE	REV.	DESCRIPTION	DATE	APPROVED
REVISIONS				

1261 LOGAN AVENUE
COSTA MESA, CALIFORNIA 92626
PHONE: 714.361.4800
FAX: 714.617.3120

PHYL RICH[®]
Defining Luxury Since 1959

PROPRIETARY AND CONFIDENTIAL
THE INFORMATION CONTAINED IN THIS DRAWING IS THE SOLE PROPERTY OF PHYL RICH. ANY REPRODUCTION IN PART OR AS A WHOLE WITHOUT THE WRITTEN PERMISSION OF PHYL RICH IS PROHIBITED.
DO NOT SCALE DRAWING

WALL LAV SET, SINGLE HANDLE, BLADE, STRIA

SIZE A	ASM/PRT NO. 291-17/00	REV -
SCALE: 1:4	WEIGHT: lbs.	SHEET 1 OF 2