

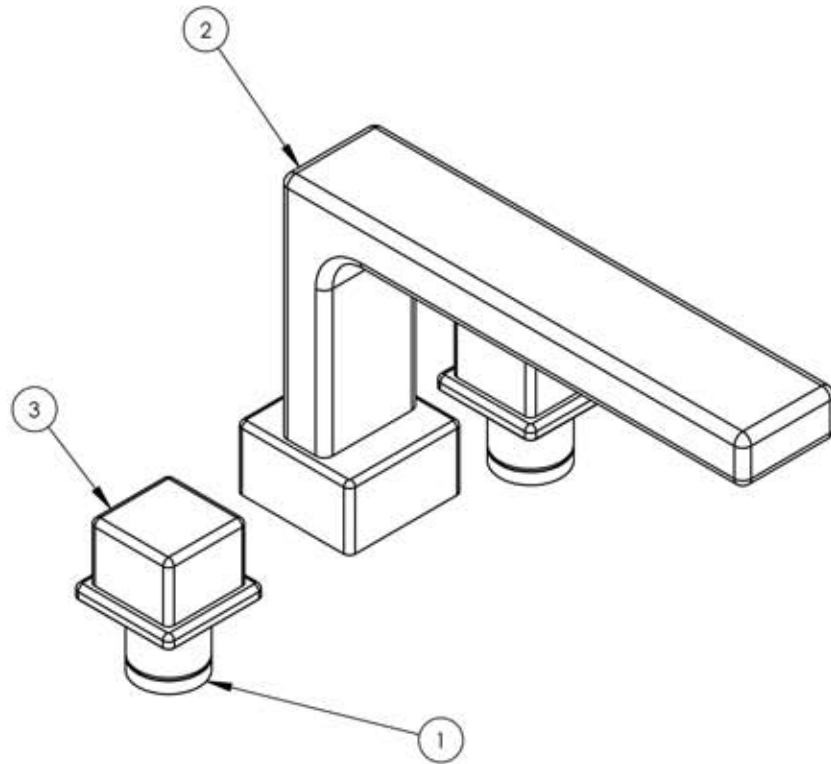
A

B

C

D

E



ITEM NO.	PART NUMBER	DESCRIPTION	QTY.
1	11077	SLEEVE MOUNT, DECK (ROMAN) TUB	2
2	3-099	ASSEMBLY, SPOUT ROMAN TUB, LOW, MIX SERIES	1
	10949/00	SPOUT, DECK TUB 290 MIX	1
	11221/00	ESCUTCHEON, SPOUT MIX SERIES	1
	92158	DOWEL PIN, 1/8" X 3/8"L	2
	11220	SPUD SCREW, 1/2"-NPSM CONNECTOR	1
	90034	O-RING, 2-1/8"ID X 2-1/4"OD X 1/16"THK, AS-568-034	1
	90020	O-RING, 7/8"ID X 1"OD X 1/16"THK, AS-568-020	1
	P05051	AERATOR, CACHE COINED SLOT M24X1.0 FULL FLOW	1
3	3-102/00	ASSY, HANDLE CUBE MIX	2
	10932/00	ESCUTCHEON, HANDLE MIX SERIES	1
	10926/00	HANDLE, SQUARE/CUBE MIX SERIES	1
	92176	WEAR WASHER	1
	92005	SET SCREW, CUP PT 6-32UNC THREAD 3/16"L	1
	92008	SET SCREW, CUP POINT 8-32	1

ZONE	REV.	DESCRIPTION	DATE	APPROVED
REVISIONS				
1261 LOGAN AVENUE COSTA MESA, CALIFORNIA 92626 PHONE: 714.361.4800 FAX: 714.617.3120		PHYLORICH®	<b>PROPRIETARY AND CONFIDENTIAL</b> <small>THE INFORMATION CONTAINED IN THIS DRAWING IS THE SOLE PROPERTY OF RSS MANUFACTURING. ANY REPRODUCTION IN PART OR AS A WHOLE WITHOUT THE WRITTEN PERMISSION OF RSS MANUFACTURING IS PROHIBITED.</small>	
Defining Luxury Since 1959				

-	-	INTERPRET GEOMETRIC DIMENSIONING & TOLERANCING IN ACCORDANCE WITH ASME Y14.5-2009 & ASME Y14.41-2003 STANDARDS, UNLESS OTHERWISE SPECIFIED. DIMENSIONS ARE IN INCHES. TOLERANCES ARE:			<b>DECK TUB SET TRIM, CUBE HANDLE, MIX SERIES</b>			
-	-	<b>FRACTIONS</b> ±1/64"	<b>DECIMALS</b> X.X: ±.1 X.XX: ±.01 X.XXX: ±.005	<b>ANGULAR</b> ±.5°				
NEXT ASSY	USED ON	APPLICATION			SIZE	ASM/PRT NO.	REV	
MATERIAL	FINISH			NAME	DATE	A	290-43/00	
DO NOT SCALE DRAWING	DRAWN	CA	5/28/2013	CHECKED	MAF			SCALE: 1:3

5

4

3

2

1