

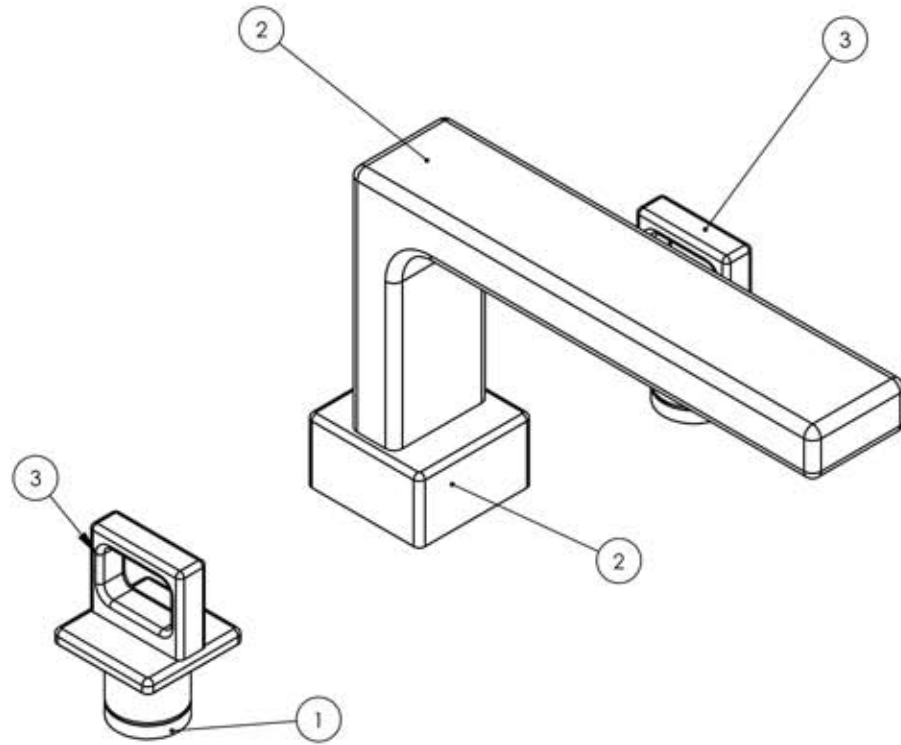
A

B

C

D

E



ITEM NO.	PART NUMBER	DESCRIPTION	QTY.
1	11077	SLEEVE MOUNT, DECK (ROMAN) TUB	2
2	3-099	ASSEMBLY, SPOUT ROMAN TUB, LOW, MIX SERIES	1
	10949/00	SPOUT, DECK TUB 290 MIX	1
	11221/00	ESCUTCHEON, SPOUT MIX SERIES	1
	92158	DOWEL PIN, 1/8" X 3/8"L	2
	11220	SPUD SCREW, 1/2"-NPSM CONNECTOR	1
	90034	O-RING, 2-1/8"ID X 2-1/4"OD X 1/16"THK, AS-568-034	1
	90020	O-RING, 7/8"ID X 1"OD X 1/16"THK, AS-568-020	1
	P05051	AERATOR, CACHE COINED SLOT M24X1.0 FULL FLOW	1
3	3-103/00	ASSY, HANDLE WINDOW MIX	2
	10932/00	ESCUTCHEON, HANDLE MIX SERIES	1
	10925/00	HANDLE, RING/WINDOW MIX SERIES	1
	92176	WEAR WASHER	2
	92177	RETAINING RING, 7/16" SHAFT	1
	92005	SET SCREW, CUP PT 6-32UNC THREAD 3/16"L	1

ZONE	REV.	DESCRIPTION	DATE	APPROVED
		REVISIONS		

1261 LOGAN AVENUE COSTA MESA, CALIFORNIA 92626 PHONE: 714.361.4800 FAX: 714.617.3120		PHYLIRICH® Defining Luxury Since 1959	PROPRIETARY AND CONFIDENTIAL THE INFORMATION CONTAINED IN THIS DRAWING IS THE SOLE PROPERTY OF RSS MANUFACTURING. ANY REPRODUCTION IN PART OR AS A WHOLE WITHOUT THE WRITTEN PERMISSION OF RSS MANUFACTURING IS PROHIBITED.
---	--	---	---

-	-	INTERPRET GEOMETRIC DIMENSIONING & TOLERANCING IN ACCORDANCE WITH ASME Y14.5-2009 & ASME Y14.41-2003 STANDARDS, UNLESS OTHERWISE SPECIFIED. DIMENSIONS ARE IN INCHES. TOLERANCES ARE:		
NEXT ASSY	USED ON	FRACTIONS ±1/64"	DECIMALS X.X: ±.1 X.XX: ±.01 X.XXX: ±.005	ANGULAR ±.5°
APPLICATION		MATERIAL	NAME	DATE
FINISH		DRAWN	CA	5/28/2013
DO NOT SCALE DRAWING		CHECKED	MAF	

DECK TUB SET TRIM, RING HANDLE, MIX SERIES

SIZE A	ASM/PRT NO. 290-42/00	REV
SCALE: 1:3	WEIGHT: lbs.	SHEET 1 OF 2

5

4

3

2

1