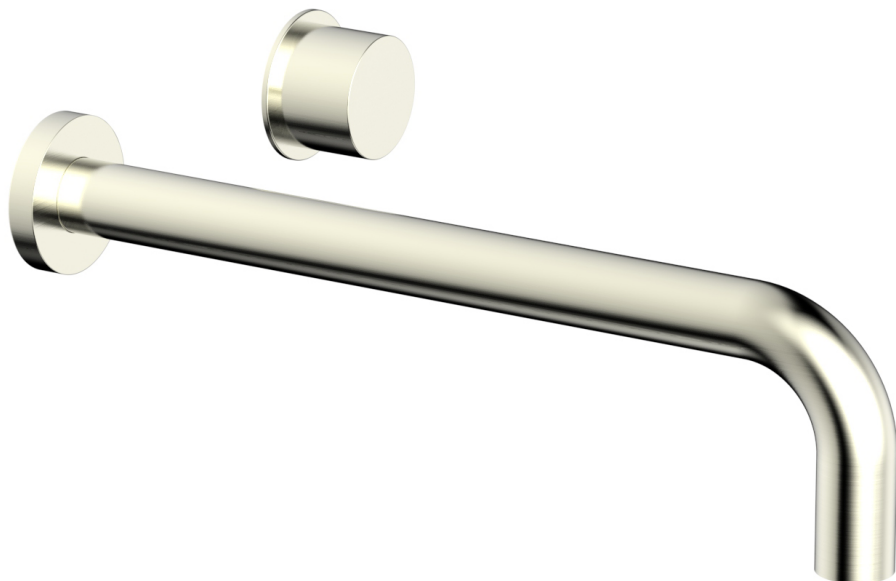


# 12" Single Handle Wall Lavatory Set w/ Smooth Handle

230-16-12



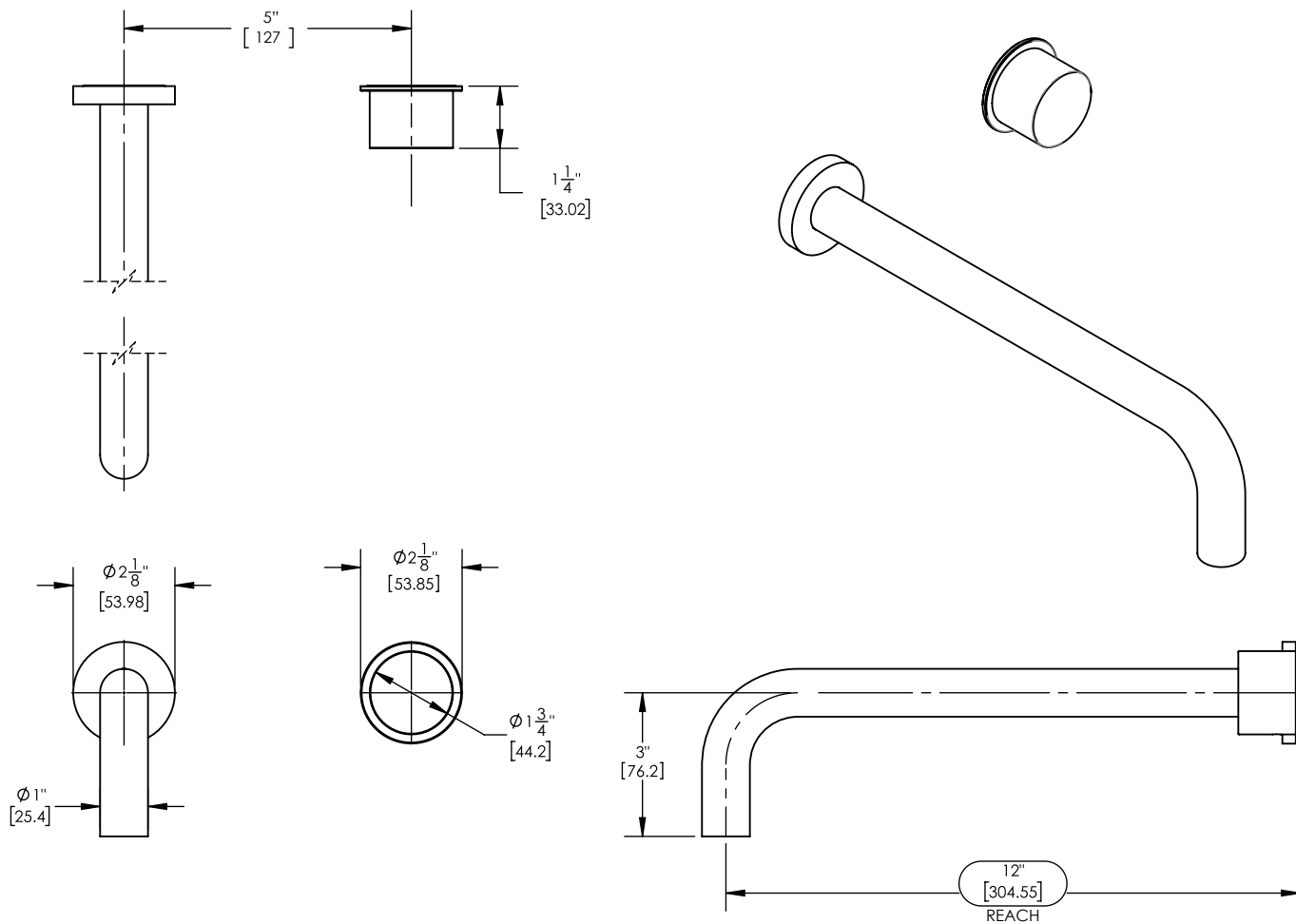
## PRODUCT FEATURES

- Style: Contemporary
- Collection: Basic II
- Temperature Controlled By Handles
- Smooth Handle
- 
- 

## TECHNICAL DETAILS

ADA Compliance: No  
Drain Assembly Material: Brass  
Fitting Hole Diameter: 1 1/8"  
Number of Holes: Two Hole  
Number of Handles: One  
Handle Turn Angle: Quarter Turn  
Spout Reach: 12"  
Installation Type: Wall Mounted  
Primary Material: Brass  
Valve Material: Ceramic  
Flow Restriction: 1.2 gpm  
Water Pressure Maximum: 85 PSI  
Water Pressure Minimum: 20 PSI  
Water Pressure Recommended: 60 PSI

## PRODUCT DIMENSIONS



[www.phylrich.com](http://www.phylrich.com)

1261 Logan Avenue, Costa Mesa, California 92626.  
Phone: 714.361.4800 Fax: 714.617.3120

Rev-



**CODES & STANDARDS**

ASME A112.181/ CSA B1251, ASME 112.18.2/ CSA B125.2, ANSI NSF, CEC

## WARRANTY

Mechanical Warranty: 10 Years from date of purchase.  
Finish Warranty: See catalog for further information.