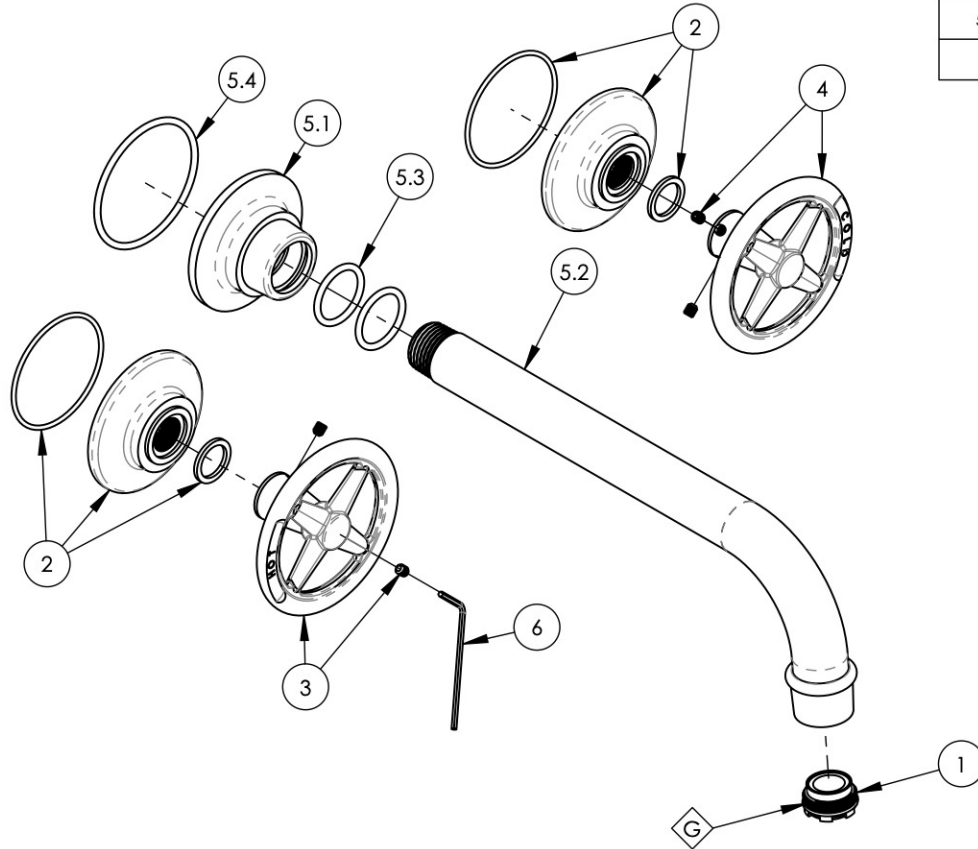


NOTE(S):

1. PART NUMBER, "/00" DENOTES PART SHALL HAVE FINISH.
2. APPLY NSF COMPLIANT GREASE TO ANY O-RING, SEALING JOINTS, AND/OR PIVOTAL POINTS.
3. APPLY NSF COMPLIANT LOCTITE TO THREADED AREA.
4. APPLY NSF COMPLIANT REMOVABLE (BLUE) LOCTITE TO THREADED AREA.
5. SILVER SOLDER JOINTS SHALL BE FULLY WETTED VIA-CAPILLARY ACTION AND COMPLETELY NON-POROUS.



ITEM NO.	PART NUMBER	DESCRIPTION	QTY.
1	10141	AERATOR, CACHE LAMINAR FULL FLOW NEOPERL 42.3330.010	1
2	3-299/00	ESCUTCHEON BASE FOR HANDLE, WORKS	2
3	3-300/00	HANDLE CROSS, HOT, W/ HARDWARE, WORKS	1
4	3-301/00	HANDLE CROSS, COLD, W/ HARDWARE, WORKS	1
5	3-643/00	SPOUT, WALL, W/ HARDWARE, TRADITIONAL, WORKS	1
5.1	11920/00	ESCUTCHEON BASE, WALL SPOUT, WORKS	1
5.2	2-282/00	ASSY, WALL SPOUT, BRAZE, HEX MODERN	1
5.3	90118	O-RING, 7/8"ID X 1-1/16"OD X 3/32"THK, AS-568-118	2
5.4	90137	O-RING, 2-1/16"ID X 3/32"THK., AS-568-137	1
6	92021	HEX KEY 5/64, FOR 8-32 SET SCREW	1



ZONE	REV.	DESCRIPTION	DATE	APPROVED
REVISIONS				

1261 LOGAN AVENUE  
COSTA MESA, CALIFORNIA 92626  
PHONE: 714.361.4800  
FAX: 714.617.3120

**PHYL RICH**<sup>®</sup>  
Defining Luxury Since 1959

**PROPRIETARY AND CONFIDENTIAL**  
THE INFORMATION CONTAINED IN THIS DRAWING IS THE SOLE PROPERTY OF PHYL RICH. ANY REPRODUCTION IN PART OR AS A WHOLE WITHOUT THE WRITTEN PERMISSION OF PHYL RICH IS PROHIBITED.  
**DO NOT SCALE DRAWING**

WALL TUB SET, SPOUT 8-1/4" W/ CROSS, WORKS

SIZE <b>A</b>	ASM/PRT NO. 220-56/00	REV -
SCALE: 1:3	WEIGHT: lbs.	SHEET 1 OF 2