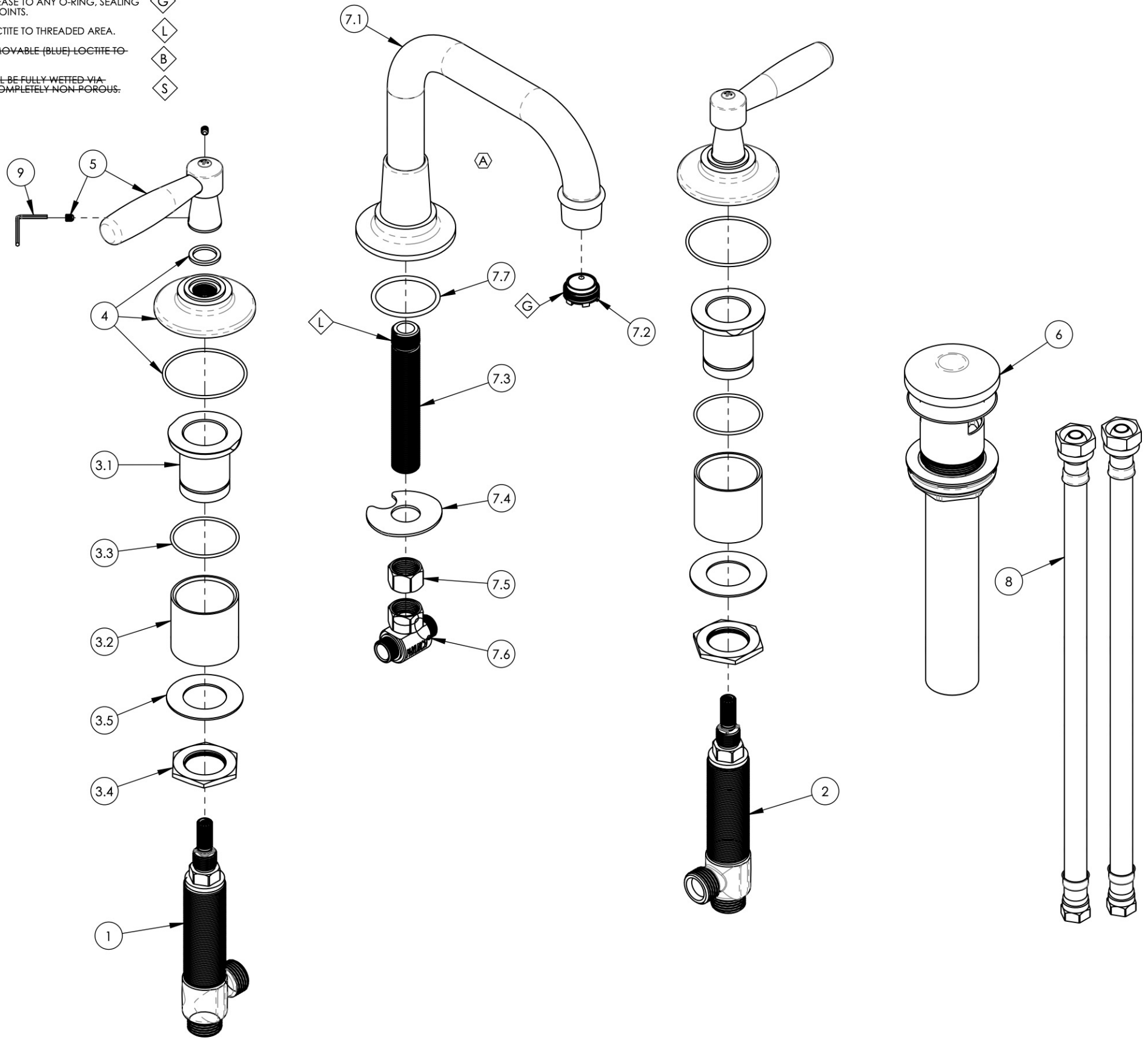


- NOTE(S):
- PART NUMBER, "/00" DENOTES PART SHALL HAVE FINISH.
 - APPLY NSF COMPLIANT GREASE TO ANY O-RING, SEALING JOINTS, AND/OR PIVOTAL POINTS.
 - APPLY NSF COMPLIANT LOCTITE TO THREADED AREA.
 - APPLY NSF COMPLIANT REMOVABLE (BLUE) LOCTITE TO THREADED AREA.
 - SILVER SOLDER JOINTS SHALL BE FULLY WETTED VIA CAPILLARY ACTION AND COMPLETELY NON-POROUS.

- G
- L
- B
- S



ITEM NO.	PART NUMBER	DESCRIPTION	QTY.
1	1-149	WIDESPREAD VALVE LAV 16PT, HOT, ONLY	1
2	1-150	WIDESPREAD VALVE LAV 16PT, COLD, ONLY	1
3	2-092	RECESSED MOUNTING KIT FOR WIDESPREAD	2
3.1	10998	SLEEVE MOUNT, WIDESPREAD	1
3.2	92180	EXTENSION SLEEVE, WIDESPREAD	1
3.3	90029	O-RING, 1-5/8"ID X 1-3/4"OD X 1/16"THK, AS-568-029	1
3.4	92251	HEX NUT, 1"-20 THREAD	1
3.5	92252	WASHER, 1-1/32" ID 1-13/16" OD	1
4	3-299/00	ESCUTCHEON BASE FOR HANDLE, WORKS	2
5	3-303/00	HANDLE LEVER W/ HARDWARE, WORKS	2
6	3-545/00	BRASS PUSH TYPE DRAIN, W/ OVERFLOW & SMALL PLUG	1
7	3-614/00	SPOUT SQUARE, WIDESPREAD, W/ HARDWARE, TRADITIONAL, WORKS	1
7.1	2-330/00	SPOUT SQUARE, BASE & AERATOR HOUSING, BRAZE, WORKS	1
7.2	11429	AERATOR CACHE JR, 1.2GPM, M21.5X1.0, 42.2260.450	1
7.3	10745	THREAD ALL, 3/8"-18 NPSL - 3/8"NPT	1
7.4	92174	WASHER MOUNT WIDESPREAD (3/8")	1
7.5	10746	NUT, 3/8"-18 NPSL	1
7.6	1-112	TEE VALVE, 3/8" NPSM X 3/8" COMPRESSION	1
7.7	90127	O-RING, 1-7/16"ID X 1-5/8"OD X 3/32"THK, AS-568-127	1
8	10982	HOSE, 3/8" COMP. X 1/2" NPSM - 12"L	2
9	92021	HEX KEY 5/64, FOR 8-32 SET SCREW	1

D6	A	UPDATED SUB ASSEMBLY	8/13/2020	RAH
ZONE	REV.	DESCRIPTION	DATE	APPROVED
REVISIONS				

1261 LOGAN AVENUE
COSTA MESA, CALIFORNIA 92626
PHONE: 714.361.4800
FAX: 714.617.3120

PHYLIRICH[®]
Defining Luxury Since 1959

PROPRIETARY AND CONFIDENTIAL
THE INFORMATION CONTAINED IN THIS DRAWING IS THE SOLE PROPERTY OF PHYLIRICH. ANY REPRODUCTION IN PART OR AS A WHOLE WITHOUT THE WRITTEN PERMISSION OF PHYLIRICH IS PROHIBITED.
DO NOT SCALE DRAWING

WIDESPREAD LAV, LOW SQUARE SPOUT W/ LEVER, WORKS

SIZE B	ASM/PRT NO. 220-04/00	REV A
SCALE: 1:2.75	WEIGHT: lbs.	SHEET 1 OF 2