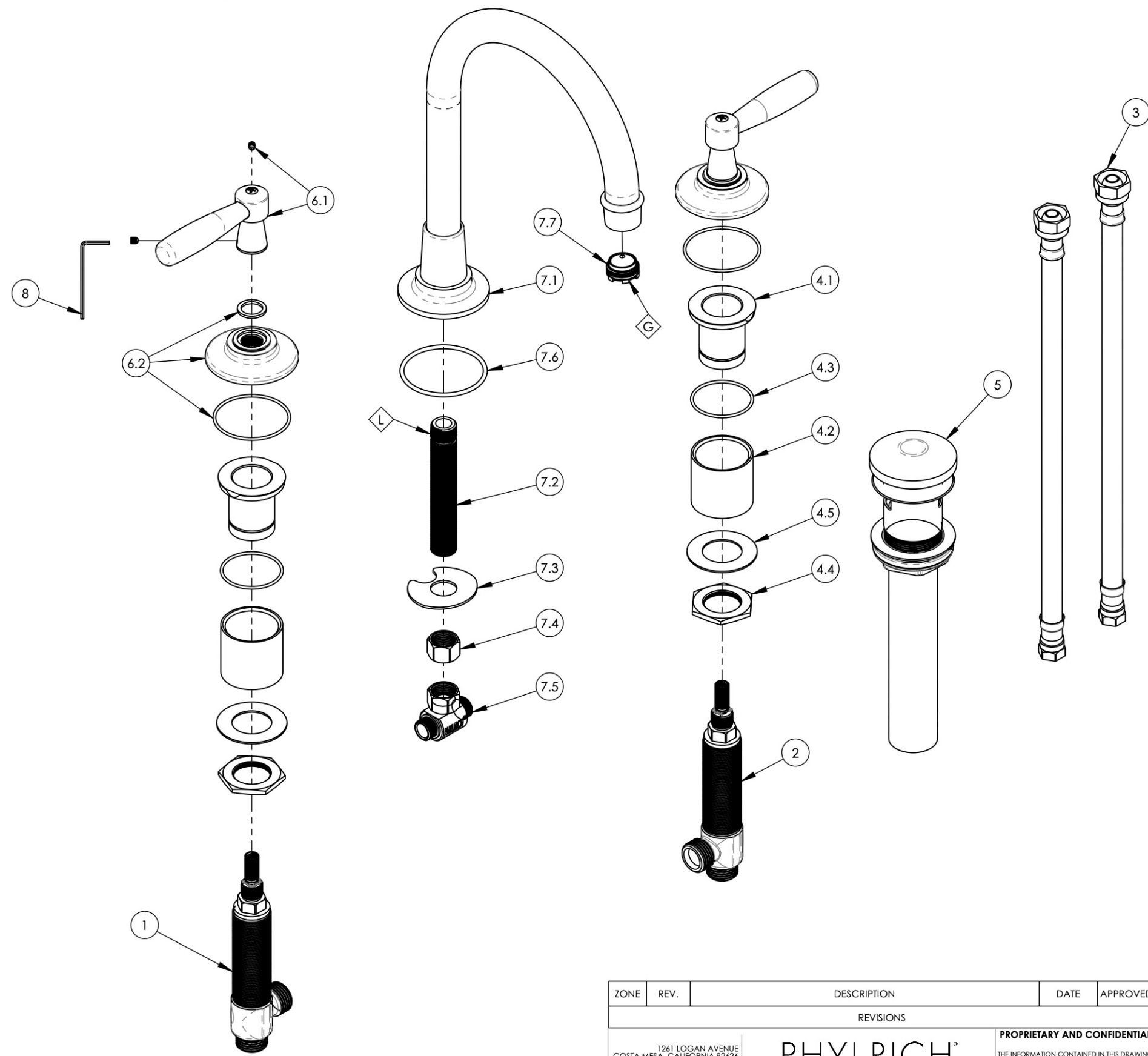


NOTE(S):
 1. PART NUMBER, "/00" DENOTES PART SHALL HAVE FINISH.
 2. APPLY NSF COMPLIANT GREASE TO ANY O-RING, SEALING JOINTS, AND/OR PIVOTAL POINTS.
 3. APPLY NSF COMPLIANT LOCTITE TO THREADED AREA.



ITEM NO.	PART NUMBER	DESCRIPTION	QTY.
1	1-149	WIDESPREAD VALVE LAV 16PT, HOT, ONLY	1
2	1-150	WIDESPREAD VALVE LAV 16PT, COLD, ONLY	1
3	10982	HOSE, 3/8" COMP. X 1/2" NPSM - 12'L	2
4	2-092	RECESSED MOUNTING KIT FOR WIDESPREAD	2
4.1	10998	SLEEVE MOUNT, WIDESPREAD	1
4.2	92180	EXTENSION SLEEVE, WIDESPREAD	1
4.3	90029	O-RING, 1-5/8"ID X 1-3/4"OD X 1/16"THK. AS-568-029	1
4.4	92251	HEX NUT, 1"-20 THREAD	1
4.5	92252	WASHER, 1-1/32" ID 1-13/16" OD	1
5	3-545/00	BRASS PUSH TYPE DRAIN, W/ OVERFLOW & SMALL PLUG	1
6	3-615/00	HANDLE LEVER W/ BASE & HARDWARE, WORKS	2
6.1	3-303/00	HANDLE LEVER W/ HARDWARE, WORKS	1
6.2	3-299/00	ESCUTCHEON BASE FOR HANDLE, WORKS	1
7	3-616/00	SPOUT ARC, WIDESPREAD, W/ HARDWARE, TRADITIONAL, WORKS	1
7.1	2-331/00	SPOUT ARC, BASE & AERATOR HOUSING, BRAZE, WORKS	1
7.2	10745	THREAD ALL, 3/8"-18 NPSL - 3/8"NPT	1
7.3	92174	WASHER MOUNT WIDESPREAD (3/8")	1
7.4	10746	NUT, 3/8"-18 NPSL	1
7.5	1-112	TEE VALVE, 3/8" NPSM X 3/8" COMPRESSION	1
7.6	90137	O-RING, 2-1/16"ID X 3/32"THK., AS-568-137	1
7.7	11429	AERATOR CACHE JUNIOR, 1.2GPM, M21.5X1.0, NEOPERL # 42.2260.450	1
8	P39001	HEX KEY 5/64, FOR 8-32 SET SCREW	1

ZONE	REV.	DESCRIPTION	DATE	APPROVED
REVISIONS				
1261 LOGAN AVENUE COSTA MESA, CALIFORNIA 92626 PHONE: 714.361.4800 FAX: 714.617.3120				
PROPRIETARY AND CONFIDENTIAL THE INFORMATION CONTAINED IN THIS DRAWING IS THE SOLE PROPERTY OF PHYLIRICH. ANY REPRODUCTION IN PART OR AS A WHOLE WITHOUT THE WRITTEN PERMISSION OF PHYLIRICH IS PROHIBITED.				

NEXT ASSY		USED ON		INTERPRET GEOMETRIC DIMENSIONING & TOLERANCING IN ACCORDANCE WITH ASME Y14.5-2009 & ASME Y14.41-2003 STANDARDS. UNLESS OTHERWISE SPECIFIED, DIMENSIONS ARE IN INCHES. TOLERANCES ARE: FRACTIONS ±1/16" DECIMALS X.X: ±.1 X.XX: ±.01 X.XXX: ±.005 ANGULAR ±2°	
APPLICATION		MATERIAL		WIDESPREAD LAV, ARC SPOUT W/ LEVER, WORKS	
FINISH		DRAWN		NAME: MAF DATE: 1/18/2019	
DO NOT SCALE DRAWING		CHECKED		SIZE: B ASM/PRT NO.: 220-02/00 REV: -	
				SCALE: 1:3 WEIGHT: lbs. SHEET 1 OF 2	