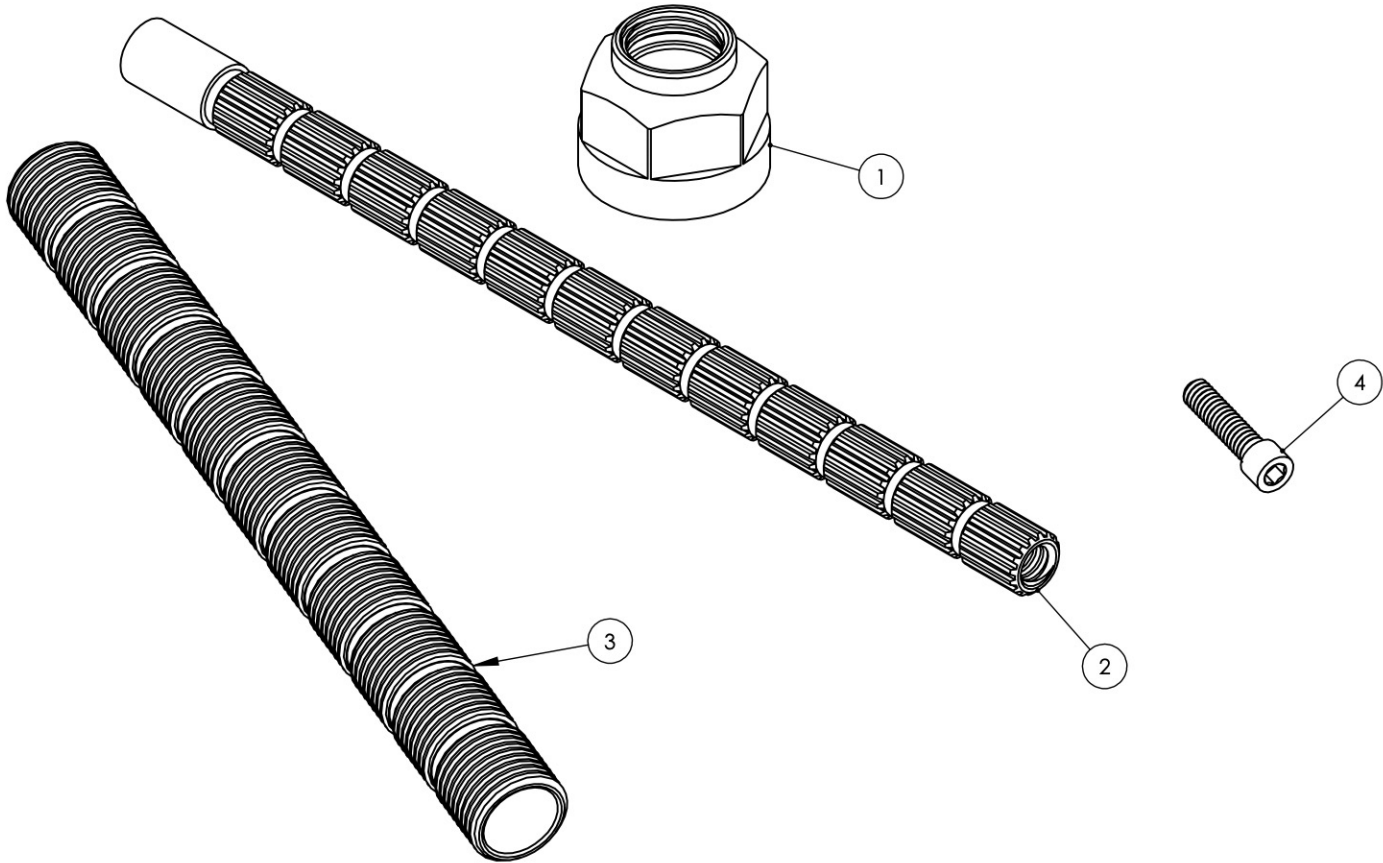


ITEM NO.	PART NUMBER	DESCRIPTION	QTY.
1	10058	NUT, ADAPTOR CART. TO THREADALL, M24X1.0 - 9/16"-20UN	1
2	11416	STEM EXTENSION, 20PT TO 16PT, XXL	1
3	11498	ALL THREAD, EXTENSION, 9/16"-20, 5-9/16"L, XXL	1
4	92015	SCREW, SOCKET HEAD CAP, M4 THRD, 16MM LENGTH	1



A

B

C

D

E

ZONE	REV.	DESCRIPTION	DATE	APPROVED
		REVISIONS		

1261 LOGAN AVENUE
COSTA MESA, CALIFORNIA 92626
PHONE: 714.361.4800
FAX: 714.617.3120



MANUFACTURING

PROPRIETARY AND CONFIDENTIAL

THE INFORMATION CONTAINED IN THIS DRAWING IS THE SOLE PROPERTY OF RSS MANUFACTURING. ANY REPRODUCTION IN PART OR AS A WHOLE WITHOUT THE WRITTEN PERMISSION OF RSS MANUFACTURING IS PROHIBITED.

-	-	INTERPRET GEOMETRIC DIMENSIONING & TOLERANCING IN ACCORDANCE WITH ASME Y14.5-2009 & ASME Y14.41-2003 STANDARDS, UNLESS OTHERWISE SPECIFIED. DIMENSIONS ARE IN INCHES. TOLERANCES ARE:		
NEXT ASSY	USED ON	FRACTIONS ±1/64"	DECIMALS X.X: ±.1 X.XX: ±.01 X.XXX: ±.005	ANGULAR ±.5°
APPLICATION		MATERIAL	NAME	DATE
FINISH		DRAWN	MAF	9/29/2016
DO NOT SCALE DRAWING		CHECKED		

EXTENSION KIT, THREAD ALL AND 16PT STEM, XXL

SIZE	ASM/PRT NO.	REV
A	2-289	-

SCALE: 1:1	WEIGHT: lbs.	SHEET 1 OF 1
------------	--------------	--------------

5

4

3

2

1