

5

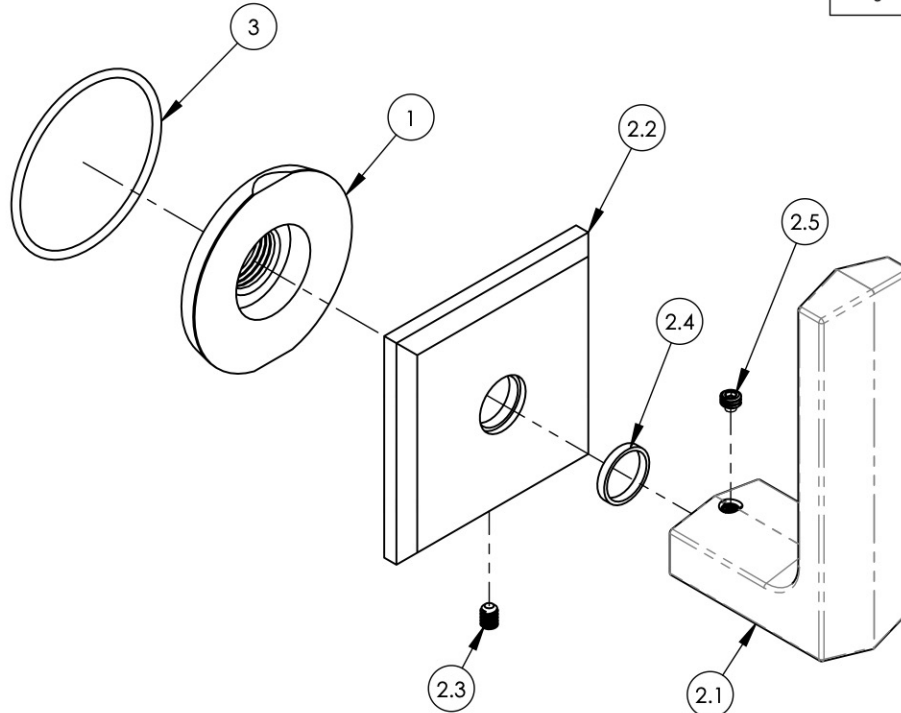
4

3

2

1

ITEM NO.	PART NUMBER	DESCRIPTION	QTY.
1	11003	SLEEVE MOUNT, WALL MT WIDESPREAD	1
2	3-596/00	ASSY, LEVER HANDLE, DIAMA	1
2.1	11769/00	LEVER HANDLE, DIAMA	1
2.2	11764/00	ESCUTCHEON, HANDLE, DIAMA	1
2.3	92005	SET SCREW, CUP PT 6-32 UNC THREAD 3/16"L	1
2.4	92176	WEAR WASHER	1
2.5	92163	SET SCREW, CONE PT 8-32 X 1/8"L	1
3	90029	O-RING, 1-5/8"ID X 1-3/4"OD X 1/16"THK, AS-568-029	1



ALL	A	UPDATE TEMPLATE	6/11/2020	AMM
ZONE	REV.	DESCRIPTION	DATE	APPROVED
REVISIONS				

1261 LOGAN AVENUE
COSTA MESA, CALIFORNIA 92626
PHONE: 714.361.4800
FAX: 714.617.3120

PHYLIRICH[®]
Defining Luxury Since 1959

PROPRIETARY AND CONFIDENTIAL

THE INFORMATION CONTAINED IN THIS DRAWING IS THE SOLE PROPERTY OF PHYLIRICH. ANY REPRODUCTION IN PART OR AS A WHOLE WITHOUT THE WRITTEN PERMISSION OF PHYLIRICH IS PROHIBITED.

-	-	INTERPRET GEOMETRIC DIMENSIONING & TOLERANCING IN ACCORDANCE WITH ASME Y14.5-2009 & ASME Y14.41-2003 STANDARDS, UNLESS OTHERWISE SPECIFIED. DIMENSIONS ARE IN INCHES. TOLERANCES ARE:		
NEXT ASSY	USED ON	FRACTIONS ±1/16"	DECIMALS X.X: ±.1 X.XX: ±.01 X.XXX: ±.005	ANGULAR ±2°
APPLICATION		NAME	DATE	
MATERIAL		DRAWN	AMM	1/10/2019
FINISH		CHECKED		
DO NOT SCALE DRAWING				

SHOWER, VOLUME CNTRL/DIVERTER TRIM,
LEVER HANDLE, DIAMA

SIZE	ASM/PRT NO.	REV
A	184-36/00	A

SCALE: 1:1.5 WEIGHT: lbs. SHEET 1 OF 2

5

4

3

2

1