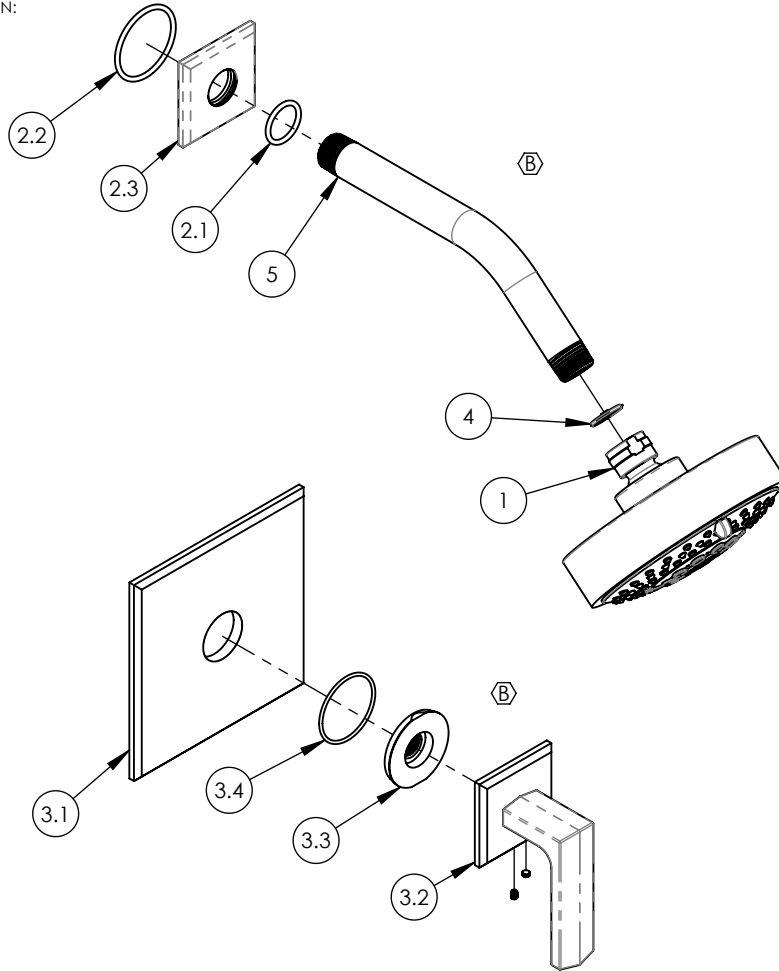


- NOTE(S):
 1. PART NUMBER, "/00" DENOTES PART SHALL HAVE FINISH.
 2. APPLY NSF COMPLIANT GREASE TO ANY O-RING, SEALING JOINTS, AND/OR PIVOTAL POINTS. **G**
 3. APPLY NSF COMPLIANT LOCTITE TO THREADED AREA. **L**
 4. APPLY NSF COMPLIANT REMOVABLE (BLUE) LOCTITE TO THREADED AREA. **B**
 5. SILVER SOLDER JOINTS SHALL BE FULLY WETTED VIA CAPILLARY ACTION AND COMPLETELY NON-POROUS. **S**
 6. FOR DEEPER ESCUTCHEON:
 • 3-598/00
 • 92401 **B**



| ITEM NO. | PART NUMBER | DESCRIPTION | QTY. |
|----------|-------------|---|------|
| 1 | 3-454/00 | SHOWER HEAD MULTI. FUNC. CONTEMP. | 1 |
| 2 | 3-714/00 | SHOWER FLANGE, DIAMA | 1 |
| 2.1 | 90117 | O-RING, 7/8"ID X 33/32"THK., AS-568-117 | 1 |
| 2.2 | 90129 | O-RING, 1-9/16"ID X 3/32"THK, AS-568-129 | 1 |
| 2.3 | 11765/00 | ESCUTCHEON, SHOWER FLANGE, DIAMA | 1 |
| 3 | 4-560/00 | SHOWER PLATE, SINGLE LEVER HANDLE, TRIM ONLY, DIAMA | 1 |
| 3.1 | 11770/00 | PLATE, SHOWER TRIM, DIAMA | 1 |
| 3.2 | 3-596/00 | ASSY, LEVER HANDLE, DIAMA | 1 |
| 3.3 | 11003 | SLEEVE MOUNT, WALL MT WIDESPREAD | 1 |
| 3.4 | 90029 | O-RING, 1-5/8"ID X 1-3/4"OD X 1/16"THK, AS-568-029 | 1 |
| 4 | 11432 | 1.75 GPM FLOW REGULATOR | 1 |
| 5 | P16008/00 | SHOWER ARM (8 INCH) | 1 |

| | | | | |
|-----------|------|---|-----------|----------|
| ALL | B | UPDATE SLEEVE MOUNT & HANDLE ASSY, ADD NOTE, REMOVE SHOWER SUBASSY, ADD FLANGE ASSY | 2/23/2021 | AMM |
| ZONE | REV. | DESCRIPTION | DATE | APPROVED |
| REVISIONS | | | | |

1261 LOGAN AVENUE
 COSTA MESA, CALIFORNIA 92626
 PHONE: 714.361.4800
 FAX: 714.617.3120

PHYLIRICH[®]
 Defining Luxury Since 1959

PROPRIETARY AND CONFIDENTIAL
 THE INFORMATION CONTAINED IN THIS DRAWING IS THE SOLE PROPERTY OF PHYLIRICH. ANY REPRODUCTION IN PART OR AS A WHOLE WITHOUT THE WRITTEN PERMISSION OF PHYLIRICH IS PROHIBITED.
DO NOT SCALE DRAWING

PB SHOWER SET, LEVER HANDLE, DIAMA

| | | |
|------------------|--------------------------|--------------|
| SIZE A | ASM/PRT NO. 184-22/00 | REV B |
| SCALE: 1:4 | WEIGHT: lbs. | SHEET 1 OF 2 |

5

4

3

2

1

E

E

D

D

C

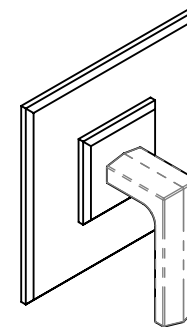
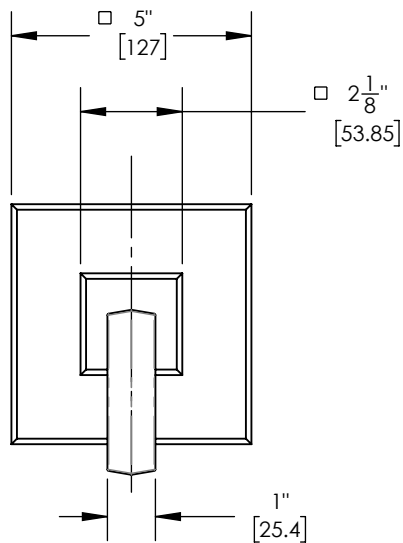
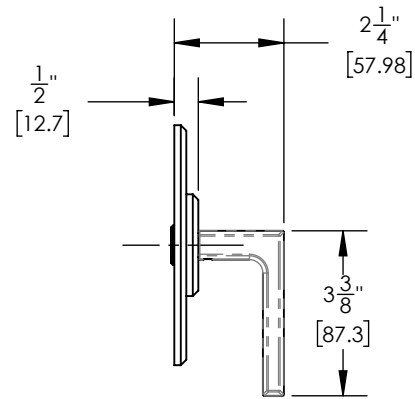
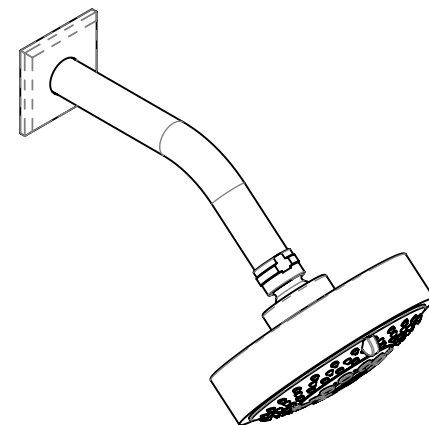
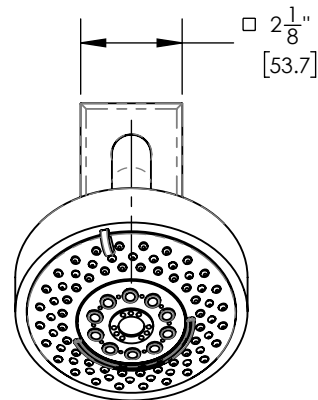
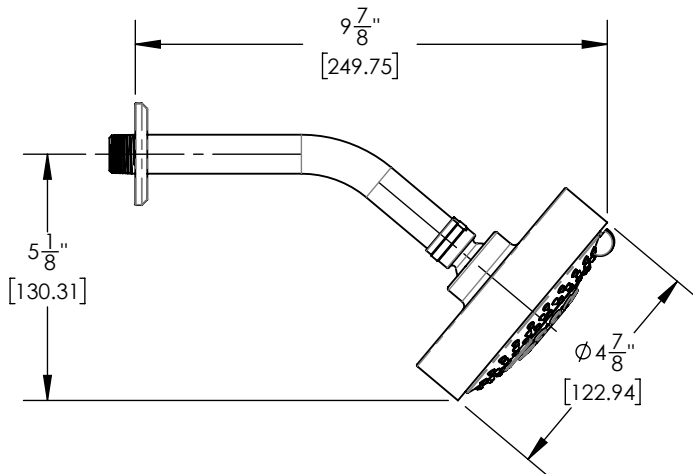
C

B

B

A

A



1261 LOGAN AVENUE
COSTA MESA, CALIFORNIA 92626
PHONE: 714.361.4800
FAX: 714.617.3120

PHYLIRICH[®]
Defining Luxury Since 1959

PROPRIETARY AND CONFIDENTIAL
THE INFORMATION CONTAINED IN THIS DRAWING IS THE SOLE PROPERTY OF PHYLIRICH. ANY REPRODUCTION IN PART OR AS A WHOLE WITHOUT THE WRITTEN PERMISSION OF PHYLIRICH IS PROHIBITED.
DO NOT SCALE DRAWING

PB SHOWER SET, LEVER HANDLE, DIAMA

| | | |
|------------------|--------------------------|----------|
| SIZE A | ASM/PRT NO. 184-22/00 | REV B |
|------------------|--------------------------|----------|

| | | |
|------------|--------------|--------------|
| SCALE: 1:4 | WEIGHT: lbs. | SHEET 2 OF 2 |
|------------|--------------|--------------|

5

4

3

2

1