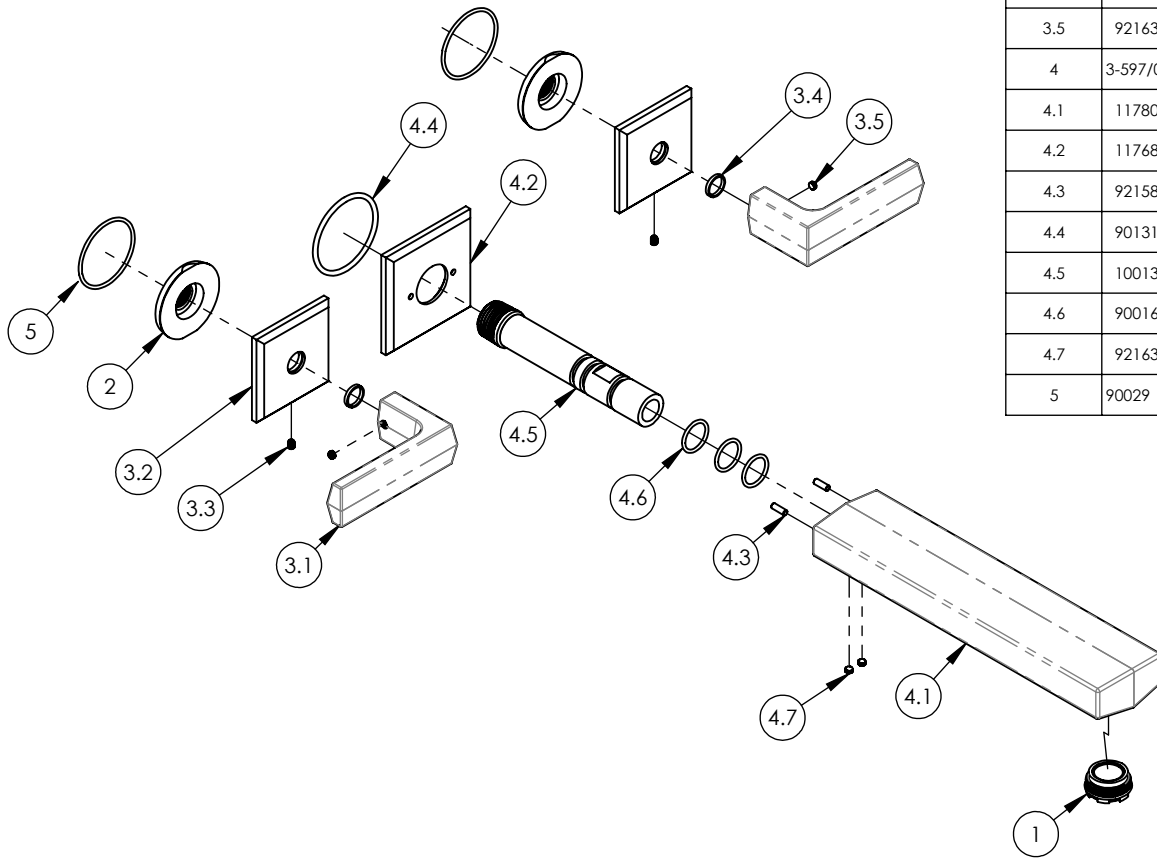


ITEM NO.	PART NUMBER	DESCRIPTION	QTY.
1	10560	AERATOR, PCA CACHE 1.5GPM, M24X1.0 GREEN	1
2	11003	SLEEVE MOUNT, WALL MT WIDESPREAD	2
3	3-596/00	ASSY, LEVER HANDLE, DIAMA	2
3.1	11769/00	LEVER HANDLE, DIAMA	1
3.2	11764/00	ESCUTCHEON, HANDLE, DIAMA	1
3.3	92005	SET SCREW, CUP PT 6-32 UNC THREAD 3/16"L	1
3.4	92176	WEAR WASHER	1
3.5	92163	SET SCREW, CONE PT 8-32 X 1/8"L	1
4	3-597/00	ASSY, WALL SPOUT, DIAMA	1
4.1	11780/00	SPOUT, WALL TUB, DIAMA	1
4.2	11768/00	ESCUTCHEON, SPOUT, WALL LAV, DIAMA	1
4.3	92158	DOWEL PIN, 1/8" X 3/8"L	2
4.4	90131	O-RING, 1-11/16ID X 3/32THK, AS-568-131	1
4.5	10013	INJECTOR SHANK, 1/2"NPT MALE TO M16.5 CACHE W/ O-SEAL	1
4.6	90016	O-RING, 5/8"ID X 3/4"OD X 1/16"THK, AS-568-016	3
4.7	92163	SET SCREW, CONE PT 8-32 X 1/8"L	2
5	90029	O-RING, 1-5/8"ID X 1-3/4"OD X 1/16"THK, AS-568-029	2



ZONE	REV.	DESCRIPTION	DATE	APPROVED
REVISIONS				

1261 LOGAN AVENUE
COSTA MESA, CALIFORNIA 92626
PHONE: 714.361.4800
FAX: 714.617.3120

PROPRIETARY AND CONFIDENTIAL

THE INFORMATION CONTAINED IN THIS DRAWING IS THE SOLE PROPERTY OF RSS MANUFACTURING. ANY REPRODUCTION IN PART OR AS A WHOLE WITHOUT THE WRITTEN PERMISSION OF RSS MANUFACTURING IS PROHIBITED.

-	-	INTERPRET GEOMETRIC DIMENSIONING & TOLERANCING IN ACCORDANCE WITH ASME Y14.5-2009 & ASME Y14.41-2003 STANDARDS, UNLESS OTHERWISE SPECIFIED. DIMENSIONS ARE IN INCHES. TOLERANCES ARE:		
NEXT ASSY	USED ON	FRACTIONS ±1/64"	DECIMALS X.X: ±.1 X.XX: ±.01 X.XXX: ±.005	ANGULAR ±.5°
APPLICATION		MATERIAL	NAME	DATE
FINISH		DRAWN	AMM	2/8/2019
DO NOT SCALE DRAWING		CHECKED		

WALL LAV, LEVER HANDLES, DIAMA			
SIZE	ASM/PRT NO.	REV	
A	184-12/00		
SCALE: 1:4	WEIGHT: lbs.	SHEET 1 OF 2	

5

4

3

2

1

A

B

C

D

E

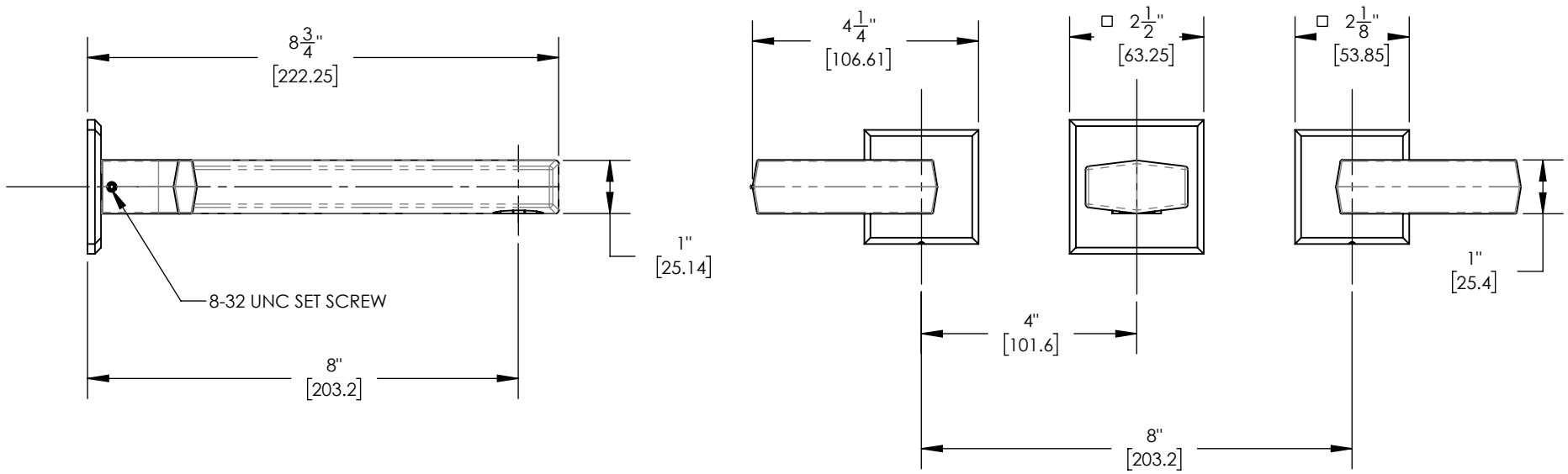
A

B

C

D

E



1261 LOGAN AVENUE
 COSTA MESA, CALIFORNIA 92626
 PHONE: 714.361.4800
 FAX: 714.617.3120



PROPRIETARY AND CONFIDENTIAL
 THE INFORMATION CONTAINED IN THIS DRAWING
 IS THE SOLE PROPERTY OF RSS MANUFACTURING.
 ANY REPRODUCTION IN PART OR AS A WHOLE
 WITHOUT THE WRITTEN PERMISSION OF RSS
 MANUFACTURING IS PROHIBITED.
DO NOT SCALE DRAWING

WALL LAV, LEVER HANDLES, DIAMA

SIZE	ASM/PRT NO.	REV
A	184-12/00	
SCALE: 1:3	WEIGHT: lbs.	SHEET 2 OF 2

5

4

3

2

1