

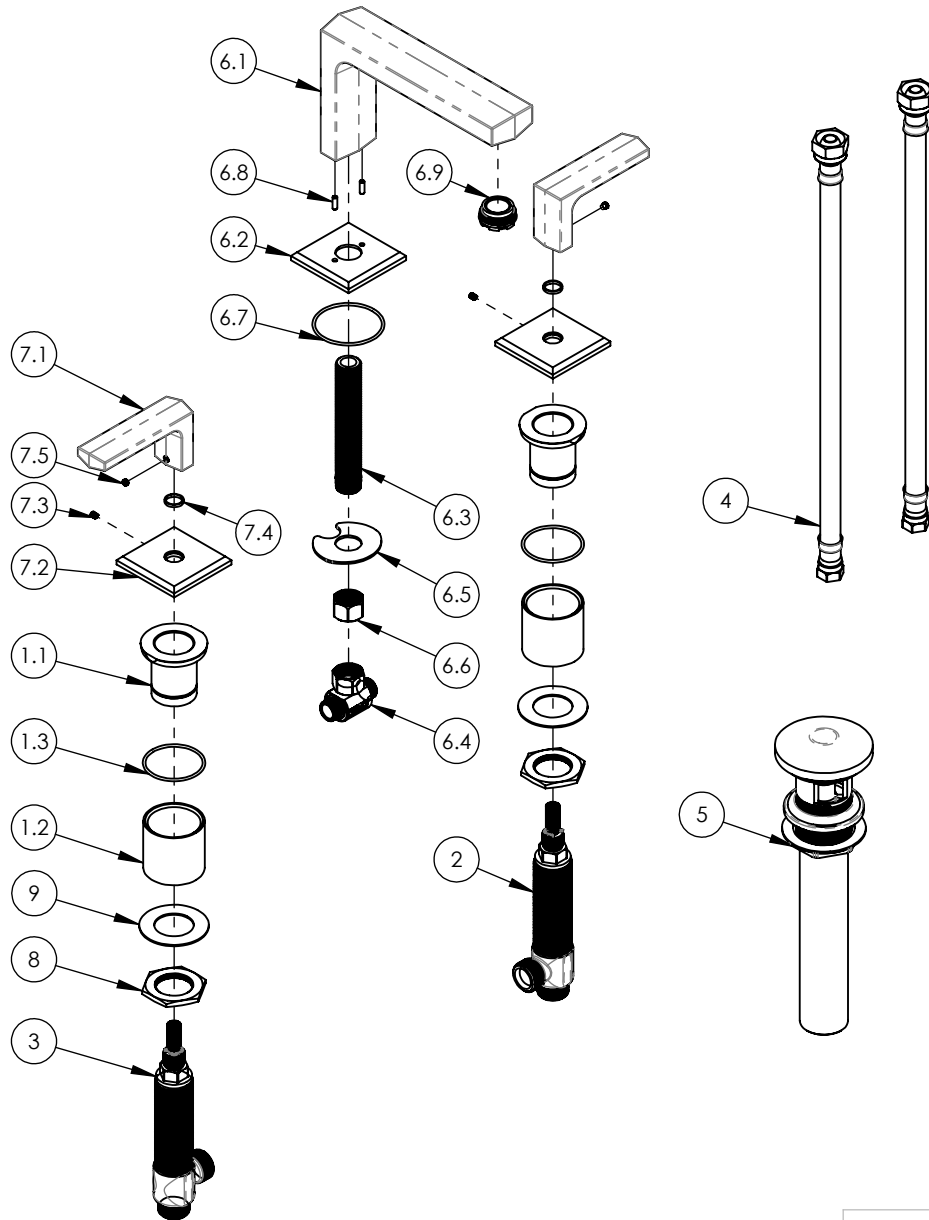
A

B

C

D

E



ITEM NO.	PART NUMBER	DESCRIPTION	QTY.
1	1-121	RECESSED MOUNTING KIT, COMPLETE, WIDESPREAD LAV.	1
1.1	10998	SLEEVE MOUNT, WIDESPREAD	2
1.2	92180	EXTENSION SLEEVE, WIDESPREAD	2
1.3	90029	O-RING, 1-5/8"ID X 1-3/4"OD X 1/16"THK, AS-568-029	2
2	1-149	WIDESPREAD VALVE LAV 16PT, HOT, ONLY	1
3	1-150	WIDESPREAD VALVE LAV 16PT, COLD, ONLY	1
4	10982	HOSE, 3/8" COMP. X 1/2" NPSM - 12"L	2
5	3-517/00	PUSH TO CLOSE DRAIN	1
6	3-594/00	ASSY, SPOUT WIDESPREAD LAV, LOW, DIAMA	1
6.1	11776/00	SPOUT, WIDESPREAD LAV LOW, DIAMA	1
6.2	11766/00	ESCUTCHEON, SPOUT LAV, DIAMA	1
6.3	10745	THREAD ALL, 3/8"-18 NPSL - 3/8"NPT	1
6.4	1-112	TEE VALVE, 3/8" NPSM X 3/8" COMPRESSION	1
6.5	92174	WASHER MOUNT WIDESPREAD (3/8")	1
6.6	10746	NUT, 3/8"-18 NPSL	1
6.7	90031	O-RING, 1-3/4"ID X 1-7/8"OD X 1/16"THK, AS-568-031	1
6.8	92158	DOWEL PIN, 1/8" X 3/8"L	2
6.9	10560	AERATOR, PCA CACHE 1.5GPM, M24X1.0 GREEN	1
7	3-596/00	ASSY, LEVER HANDLE, DIAMA	2
7.1	11769/00	LEVER HANDLE, DIAMA	1
7.2	11764/00	ESCUTCHEON, HANDLE, DIAMA	1
7.3	92005	SET SCREW, CUP PT 6-32 UNC THREAD 3/16"L	1
7.4	92176	WEAR WASHER	1
7.5	92163	SET SCREW, CONE PT 8-32 X 1/8"L	1
8	92251	HEX NUT, 1"-20 THREAD	2
9	92252	WASHER, 1-1/32" ID 1-13/16" OD	2

ZONE	REV.	DESCRIPTION	DATE	APPROVED
REVISIONS				

1261 LOGAN AVENUE  
COSTA MESA, CALIFORNIA 92626  
PHONE: 714.361.4800  
FAX: 714.617.3120



**PROPRIETARY AND CONFIDENTIAL**

THE INFORMATION CONTAINED IN THIS DRAWING IS THE SOLE PROPERTY OF RSS MANUFACTURING. ANY REPRODUCTION IN PART OR AS A WHOLE WITHOUT THE WRITTEN PERMISSION OF RSS MANUFACTURING IS PROHIBITED.

-	-	INTERPRET GEOMETRIC DIMENSIONING & TOLERANCING IN ACCORDANCE WITH ASME Y14.5-2009 & ASME Y14.41-2003 STANDARDS, UNLESS OTHERWISE SPECIFIED. DIMENSIONS ARE IN INCHES. TOLERANCES ARE:			
NEXT ASSY	USED ON	<b>FRACTIONS</b> ±1/64"	<b>DECIMALS</b> X.X: ±.1 X.XX: ±.01 X.XXX: ±.005	<b>ANGULAR</b> ±.5°	
APPLICATION					
MATERIAL					
FINISH	DRAWN	NAME	DATE		
	AMM		1/17/2019		
<b>DO NOT SCALE DRAWING</b>		CHECKED			

LAV, WIDESPREAD, LOW SPOUT, LEVER HANDLE, DIAMA

SIZE ASM/PRT NO. REV  
**A** 184-04/00

SCALE: 1:5 WEIGHT: lbs. SHEET 1 OF 2

5

4

3

2

1

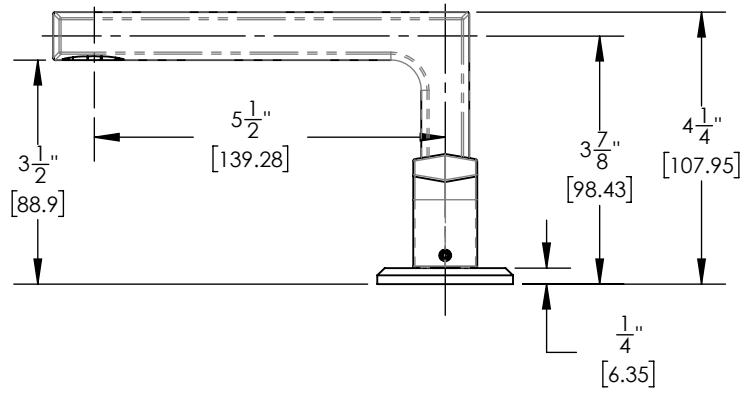
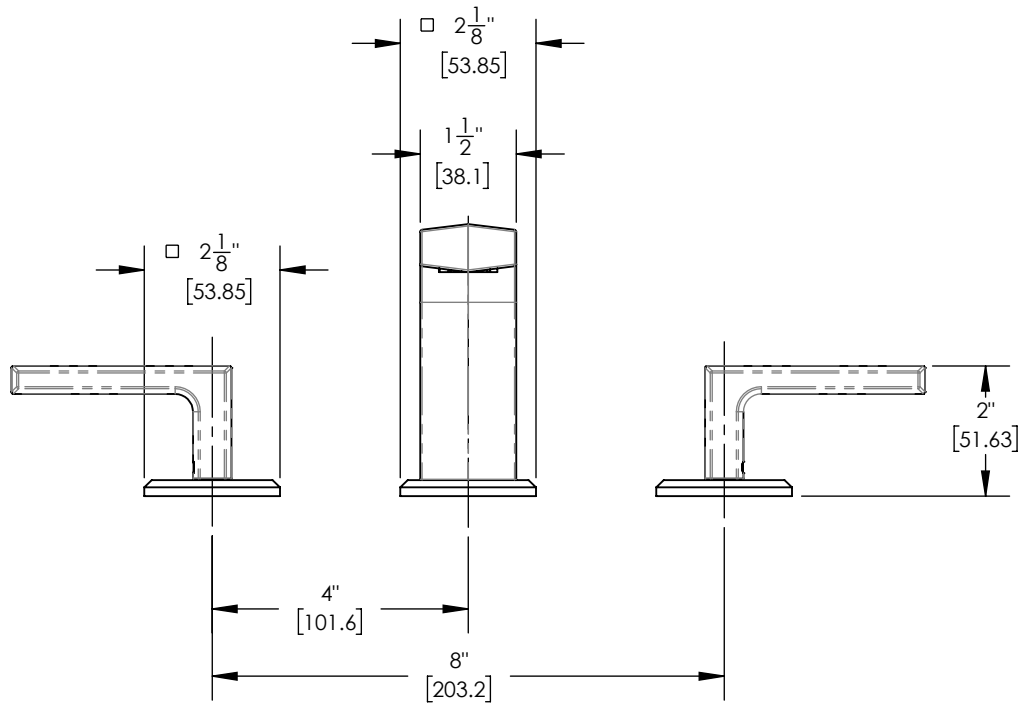
A

B

C

D

E



1261 LOGAN AVENUE  
 COSTA MESA, CALIFORNIA 92626  
 PHONE: 714.361.4800  
 FAX: 714.617.3120



**PROPRIETARY AND CONFIDENTIAL**  
 THE INFORMATION CONTAINED IN THIS DRAWING IS THE SOLE PROPERTY OF RSS MANUFACTURING. ANY REPRODUCTION IN PART OR AS A WHOLE WITHOUT THE WRITTEN PERMISSION OF RSS MANUFACTURING IS PROHIBITED.  
**DO NOT SCALE DRAWING**

LAV, WIDESPREAD, LOW SPOUT, LEVER HANDLE, DIAMA

SIZE	ASM/PRT NO.	REV
<b>A</b>	184-04/00	
SCALE: 1:3	WEIGHT: lbs.	SHEET 2 OF 2

5

4

3

2

1