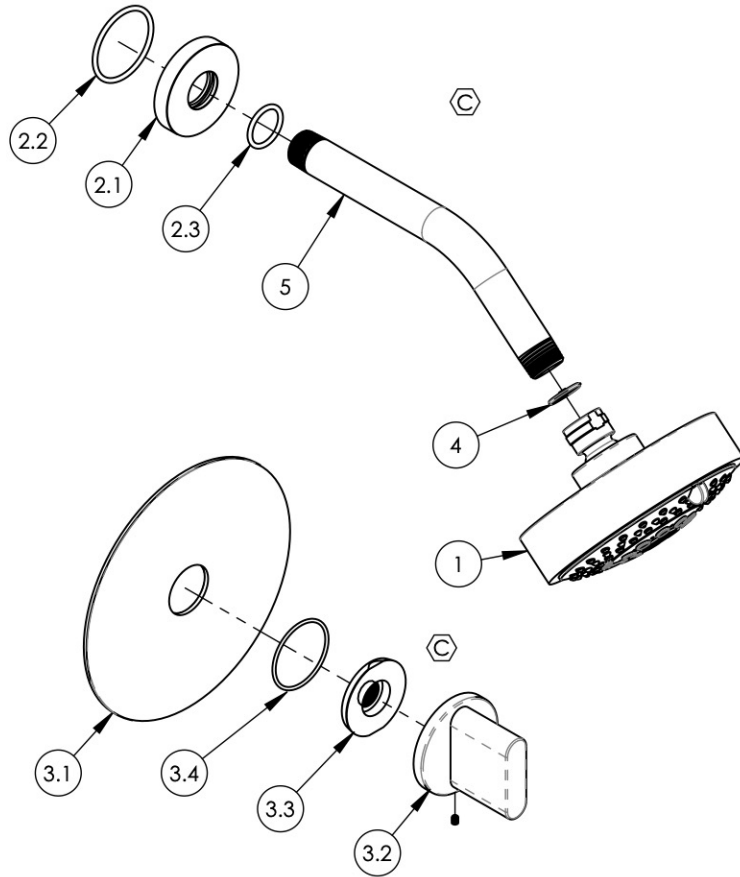


- NOTE(S):  
 1. PART NUMBER, "/00" DENOTES PART SHALL HAVE FINISH.  
 2. APPLY NSF COMPLIANT GREASE TO ANY O-RING, SEALING JOINTS, AND/OR PIVOTAL POINTS.  
 3. APPLY NSF COMPLIANT LOCTITE TO THREADED AREA.  
 4. APPLY NSF COMPLIANT REMOVABLE (BLUE) LOCTITE TO THREADED AREA.  
 5. SILVER SOLDER JOINTS SHALL BE FULLY WETTED VIA CAPILLARY ACTION AND COMPLETELY NON-POROUS.  
 6. FOR DEEPEER ESCUTCHEON:  
 • 3-587/00  
 • 92401



ITEM NO.	PART NUMBER	DESCRIPTION	QTY.
1	3-454/00	SHOWER HEAD MULTI. FUNC. CONTEMP.	1
2	3-700/00	ESCUTCHEON FLANGE, SHOWER ARM, CONTEMPORARY, ROUND	1
2.1	P16019/00	BASE SHOWER FLANGE, BASIC SERIES	1
2.2	90129	O-RING, 1-9/16"ID X 3/32"THK., AS-568-129	1
2.3	90117	O-RING, 7/8"ID X 33/32"THK., AS-568-117	1
3	4-574/00	ASSY, SINGLE BLADE HANDLE TRIM, ROND	1
3.1	10443/00	TRIM PLATE 6" ROUND, BASIC II	1
3.2	3-584/00	ASSY, BLADE HANDLE, ROND	1
3.3	11003	SLEEVE MOUNT, WALL MT WIDESPREAD	1
3.4	90029	O-RING, 1-5/8"ID X 1-3/4"OD X 1/16"THK., AS-568-029	1
4	11432	1.75 GPM FLOW REGULATOR	1
5	P16008/00	SHOWER ARM (8 INCH)	1

D4, B4	C	REMOVE SHOWER HEAD SUB-ASSY, UPDATE SLEEVE MOUNT AND HANDLE ASSY, ADD NOTE	2/16/2021	AMM
ZONE	REV.	DESCRIPTION	DATE	APPROVED
REVISIONS				

1261 LOGAN AVENUE  
 COSTA MESA, CALIFORNIA 92626  
 PHONE: 714.361.4800  
 FAX: 714.617.3120

**PHYLIRICH®**  
 Defining Luxury Since 1959

**PROPRIETARY AND CONFIDENTIAL**  
 THE INFORMATION CONTAINED IN THIS DRAWING IS THE SOLE PROPERTY OF PHYLIRICH. ANY REPRODUCTION IN PART OR AS A WHOLE WITHOUT THE WRITTEN PERMISSION OF PHYLIRICH IS PROHIBITED.  
**DO NOT SCALE DRAWING**

**ASSY, BLADE HANDLE, PRESSURE BALANCE, SHOWER SET, ROND**

SIZE <b>A</b>	ASM/PRT NO. 183-21/00	REV C
SCALE: 1:4	WEIGHT: lbs.	SHEET 1 OF 2