

5

4

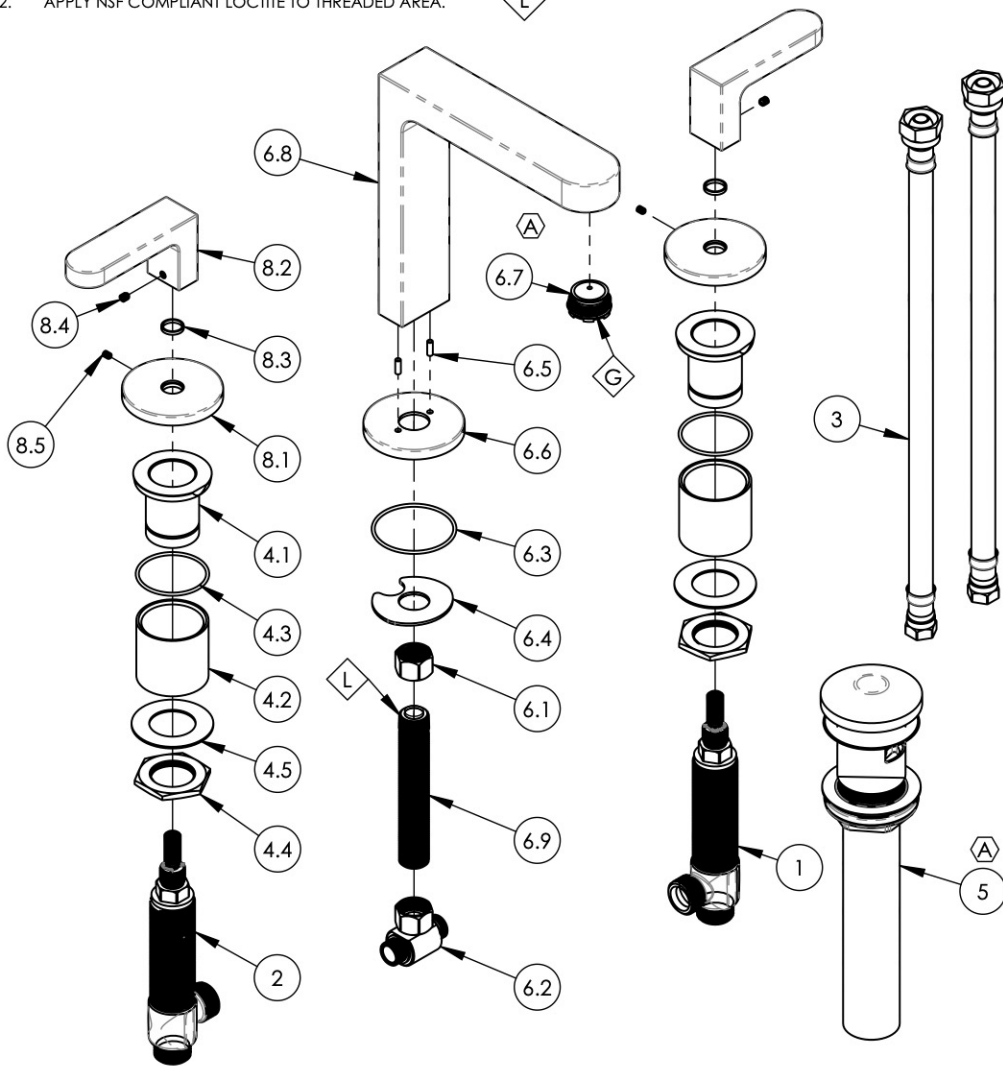
3

2

1

## NOTE(S):

1. APPLY NSF COMPLIANT GREASE TO ANY O-RING, SEALING JOINTS, AND/OR PIVOTAL POINTS. G
2. APPLY NSF COMPLIANT LOCTITE TO THREADED AREA. L



ITEM NO.	PART NUMBER	DESCRIPTION	QTY.
1	1-149	WIDESPREAD VALVE LAV 16PT, HOT, ONLY	1
2	1-150	WIDESPREAD VALVE LAV 16PT, COLD, ONLY	1
3	10982	HOSE, 3/8" COMP. X 1/2" NPSM - 12"L	2
4	2-092	RECESSED MOUNTING KIT FOR WIDESPREAD	2
4.1	10998	SLEEVE MOUNT, WIDESPREAD	1
4.2	92180	EXTENSION SLEEVE, WIDESPREAD	1
4.3	90029	O-RING, 1-5/8"ID X 1-3/4"OD X 1/16"THK, AS-568-029	1
4.4	92251	HEX NUT, 1"-20 THREAD	1
4.5	92252	WASHER, 1-1/32" ID 1-13/16" OD	1
5	3-545/00	BRASS PUSH TYPE DRAIN, W/ OVERFLOW & SMALL PLUG	1
6	3-583/00	ASSY, WIDESPREAD LAV HIGH SPOUT, ROND	1
6.1	10746	NUT, 3/8"-18 NPSL	1
6.2	1-112	TEE VALVE, 3/8" NPSM X 3/8" COMPRESSION	1
6.3	90031	O-RING, 1-3/4"ID X 1/16"THK, AS-568-031	1
6.4	92174	WASHER MOUNT WIDESPREAD (3/8")	1
6.5	92158	DOWEL PIN, 1/8" X 3/8"L	2
6.6	11746/00	ESCUTCHEON, LAV SPOUT, ROND	1
6.7	11427	AERATOR, CACHE REG, PINK 1.2 GPM, M24X1.0, NEOPERL # 40.2360.010	1
6.8	11747/00	SPOUT BODY,	1
6.9	10745	THREAD ALL, 3/8"-18 NPSL - 3/8"NPT	1
8	3-585/00	ASSY, LEVER HANDLE, ROND	2
8.1	11749/00	ESCUTCHEON, HANDLE, ROND	1
8.2	11752/00	HANDLE, LEVER, ROND	1
8.3	92176	WEAR WASHER	1
8.4	92008	SET SCREW, CUP POINT 8-32, 3/16" L.	1
8.5	92005	SET SCREW, CUP PT 6-32 UNC THREAD 3/16"L	1

D4, B3	A	UPDATE TEMPLATE, PUSH TO CLOSE DRAIN & AERATOR, ADD CALL OUT	5/29/2020	AMM
ZONE	REV.	DESCRIPTION	DATE	APPROVED
REVISIONS				

## PROPRIETARY AND CONFIDENTIAL

THE INFORMATION CONTAINED IN THIS DRAWING IS THE SOLE PROPERTY OF PHYLRICH. ANY REPRODUCTION IN PART OR AS A WHOLE WITHOUT THE WRITTEN PERMISSION OF PHYLRICH IS PROHIBITED.

-	-	INTERPRET GEOMETRIC DIMENSIONING & TOLERANCING IN ACCORDANCE WITH ASME Y14.5-2009 & ASME Y14.41-2003 STANDARDS, UNLESS OTHERWISE SPECIFIED. DIMENSIONS ARE IN INCHES. TOLERANCES ARE:		
NEXT ASSY	USED ON	FRACTIONS ±1/16"	DECIMALS X.X: ±.1 X.XX: ±.01 X.XXX: ±.005	ANGULAR ±2°
APPLICATION		MATERIAL	NAME	DATE
FINISH		DRAWN	RAH	1/9/2018
DO NOT SCALE DRAWING		CHECKED		

## WIDESPREAD, LEVER HANDLE, HIGH SPOUT, ROND

SIZE	ASM/PRT NO.	REV
<b>A</b>	183-02/00	<b>A</b>
SCALE: 1:4.25	WEIGHT: lbs.	SHEET 1 OF 2

5

4

3

2

1

1261 LOGAN AVENUE  
COSTA MESA, CALIFORNIA 92626  
PHONE: 714.361.4800  
FAX: 714.617.3120

# PHYLRICH®

Defining Luxury Since 1959