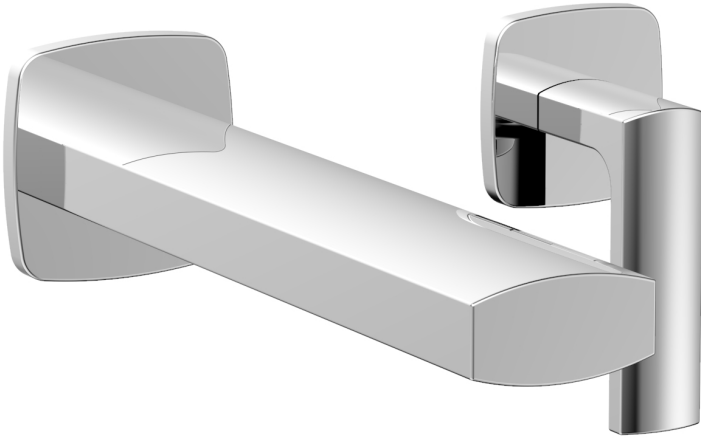


## TECHNICAL DETAILS

ADA Compliance: No  
 Drain Assembly Material: Brass  
 Drain Style: Push-to-Close / Grid  
 Fitting Hole Diameter: 1 1/8"  
 Number of Holes: Two Hole  
 Number of Handles: One  
 Handle Turn Angle: Quarter Turn  
 Spout Reach: 8"  
 Installation Type: Wall Mounted  
 Primary Material: Brass  
 Valve Material: Ceramic  
 Flow Restriction: 1.2 gpm  
 Water Pressure Maximum: 85 PSI  
 Water Pressure Minimum: 20 PSI  
 Water Pressure Recommended: 60 PSI



## PRODUCT FEATURES

- Style: Contemporary
- Collection: Radi
- Temperature Controlled By Handles
- Lever Handles

## CODES & STANDARDS

ASME A112.181/ CSA B1251, ASME 112.18.2/ CSA B125.2, ANSI NSF, CEC, Watersense 61 Sect. 9, State of MA.

## WARRANTY

Mechanical Warranty: 10 Years from date of purchase.  
 Finish Warranty: See catalog for further information.

